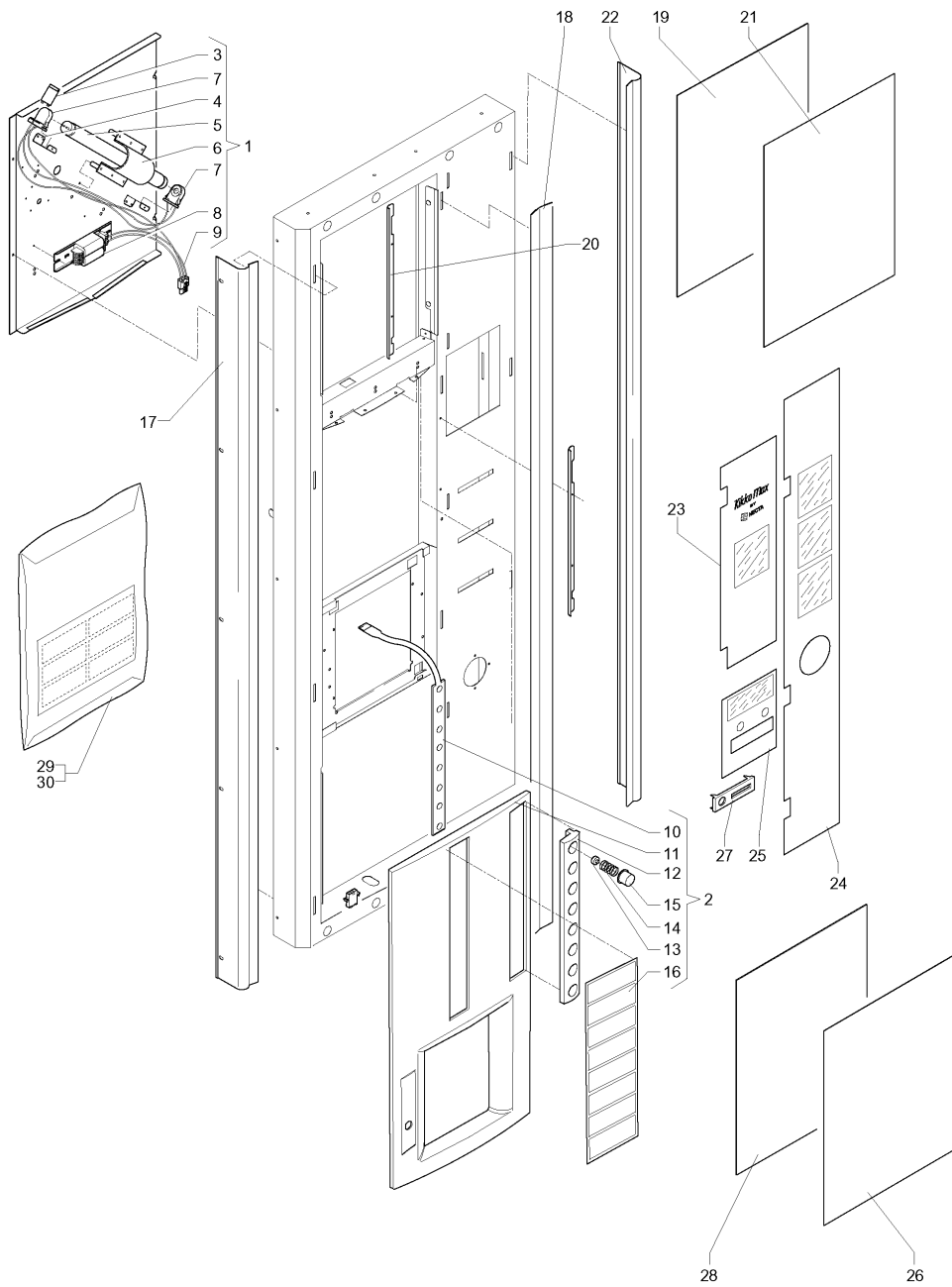
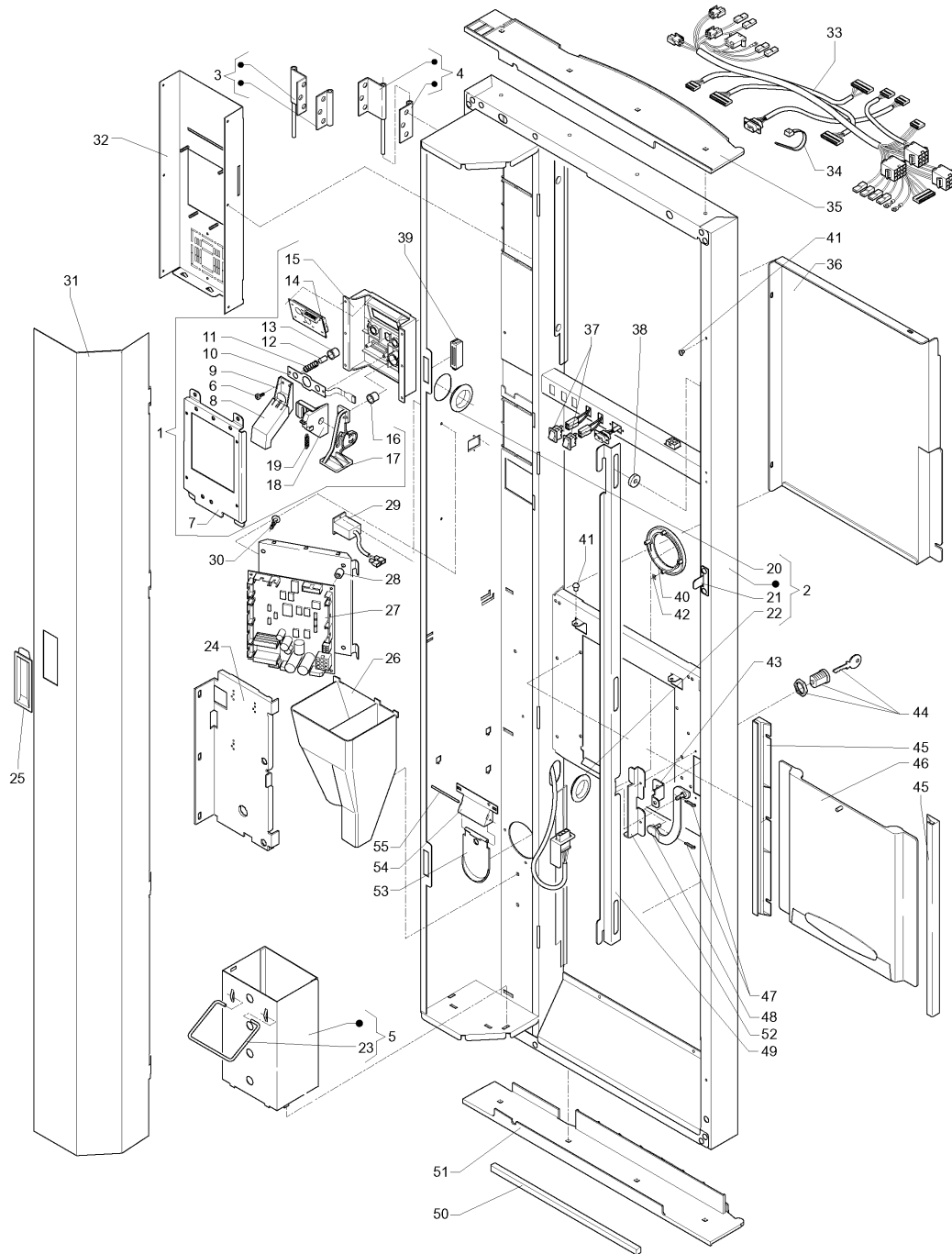


KIKKO MAX - ESPRESSO - UL - 120 VOLT - 60 HZ

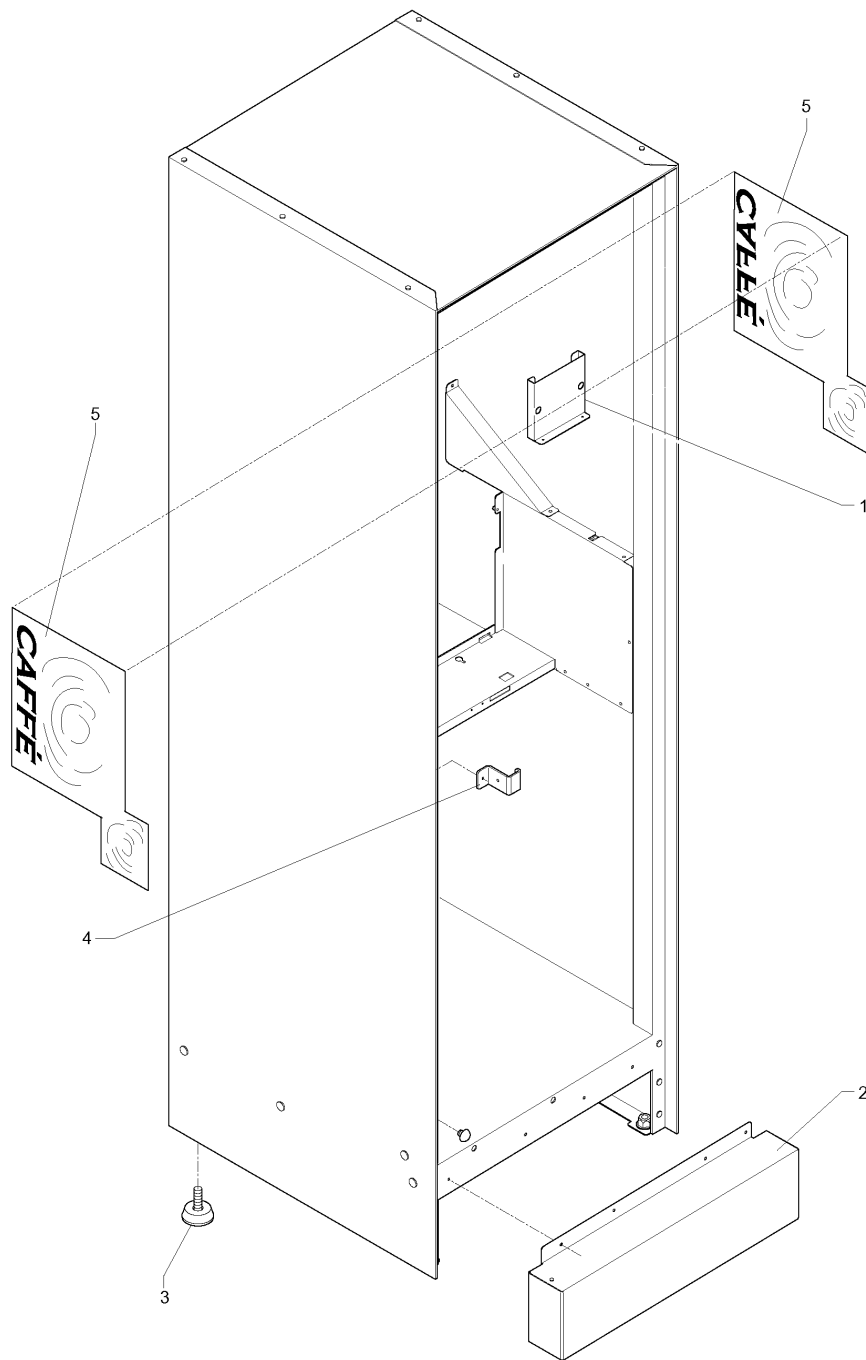


	Code	Description	Notes
1	252910	ASSEMBLY LAMP PANEL	
2	252007	CONTROL PANEL COMPLETE	
3	250604	STARTER	
4	0V1613	STARTER-HOLDER	
5	0V0594	NEON	
6	0V2468	LAMP PROTECTION	
7	099783	LAMP-HOLDER	
8	253186	BALLAST	
9	252908	PANEL LAMP WIRING	
10	252004	MEMBRANE CONTROL PANEL	
11	251986	PUSH-BUTTON-PANEL SUPPORT	
12	251992	BADGE BUTTONS	
13	0V2134	SELECTION BUTTON SPACER	
14	0V2034	SELECTION BUTTON SPRING	
15	251990	PUSH BUTTON	
16	252000	PRODUCT LABELS SUPPORT	
17	251985	LEFT PROFILE	
18	251983	CENTRAL PROFILE	
19	253304	UPPER ELEMENT -UL-	
20	252061	PANEL SQUARE	
21	251995	UPPER TRANSPARENT PANEL	
22	251984	RIGHT PROFILE	
23	252001	INTERFACE UPPER LABEL	
24	251999	INTERFACE LOWER LABEL	
25	251998	INTERFACE CENTRAL LABEL	
26	251997	LOWER TRANSPARENT PANEL	
27	250480	COIN INSERT PLATE	
28	251996	LOWER OPAL-GLASS	
29	250170	NEUTRAL LABELS	
30	252154	PRODUCT LABELS -UK/S/AUS/USA-	

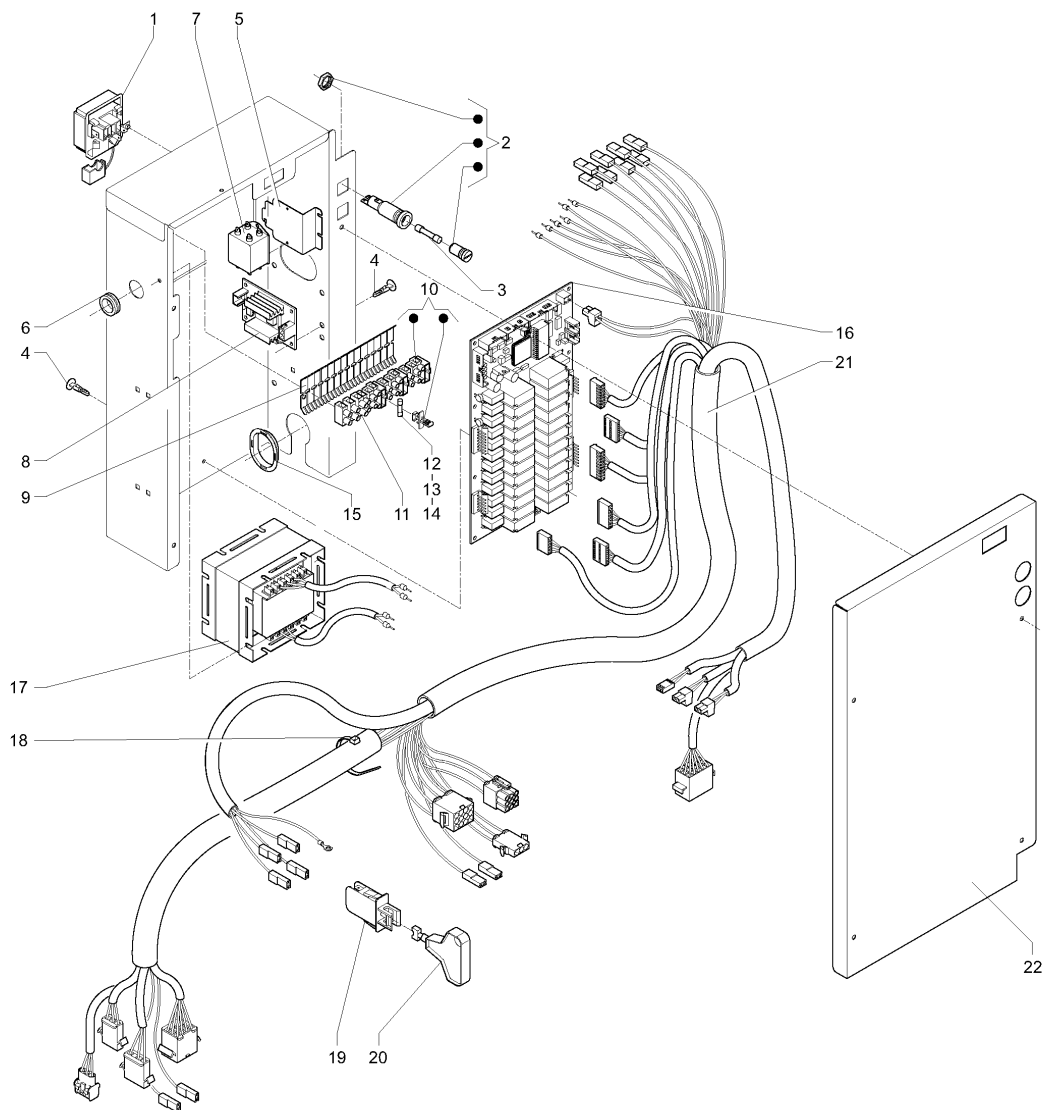


	Code	Description	Notes
1	252008	ASSEMBLY COIN INSERT PIECE	
2	252014	DOOR FRAME	
3	0V3675	LEFT DOOR HINGE	
4	0V3674	RIGHT DOOR HINGE	
5	252010	COIN-BOX	
6	987612	EJOT-PT-SCREW 4X12	
7	251976	DISPLAY ELEMENT	
8	251993	COIN INTRODUCTION CHUTE	
9	250502	FIXED COIN INTRODUCTION CHUTE	
10	0V4243	PRESEL. MEMBRANE PUSH-BUTT.PANEL	
11	250158	PUSH-BUTTON SPRING	
12	250159	PUSH-BUTTON ACTUATOR	
13	0V2071	COIN RETURN BUTTON	
14	251658	DISPLAY 4X20 BLUE	
15	250513	DISPLAY SUPPORT	
16	250506	COIN RETURN BUTTON	
17	251987	COIN RETURN LEVER	
18	0V3706	LEVER SUPPORT	
19	987839	RETURN SPRING	
20	093916	WHIPPING OVAL	
21	0V3646	DOOR SWITCH ACTUATOR	
22	098600	CHOCK	
23	0V3128	COIN BOX HANDLE	
24	251975	COIN MECHANISM SUPPORT	
25	0V3659	HANDLE	
26	0V4122	COIN CASHING/RETURN CHUTE	
27	252436	16 BIT CPU BOARD 4MB	
28	0V1431	SPACER	
29	0V2284	COUNTER 24V	
30	097175	CARD SPACER	
31	251974	BOX COVER	
32	252006	PAYMENT UPPER ELEMENT	
33	252907	DOOR WIRING -UL-	
34	090148	CLIP	
35	251988	UPPER HEAD	
36	251979	COVERING	
37	097807	BUTTON	
38	0V2047	LOCK ROD SPACER	
39	250182	MAGNET	
40	0V2073	DARK GREY COIN RETURN FRAME	
41	098833	BUFFER	
42	093829	LEVER LOCK CLIP	
43	0V4217	LOCK LATCH BOLT	
44	099905	LOCK RIELDA	
45	0V3703	SLIDER GUIDE	
46	251991	COFFEE EXIT SHUTTER	

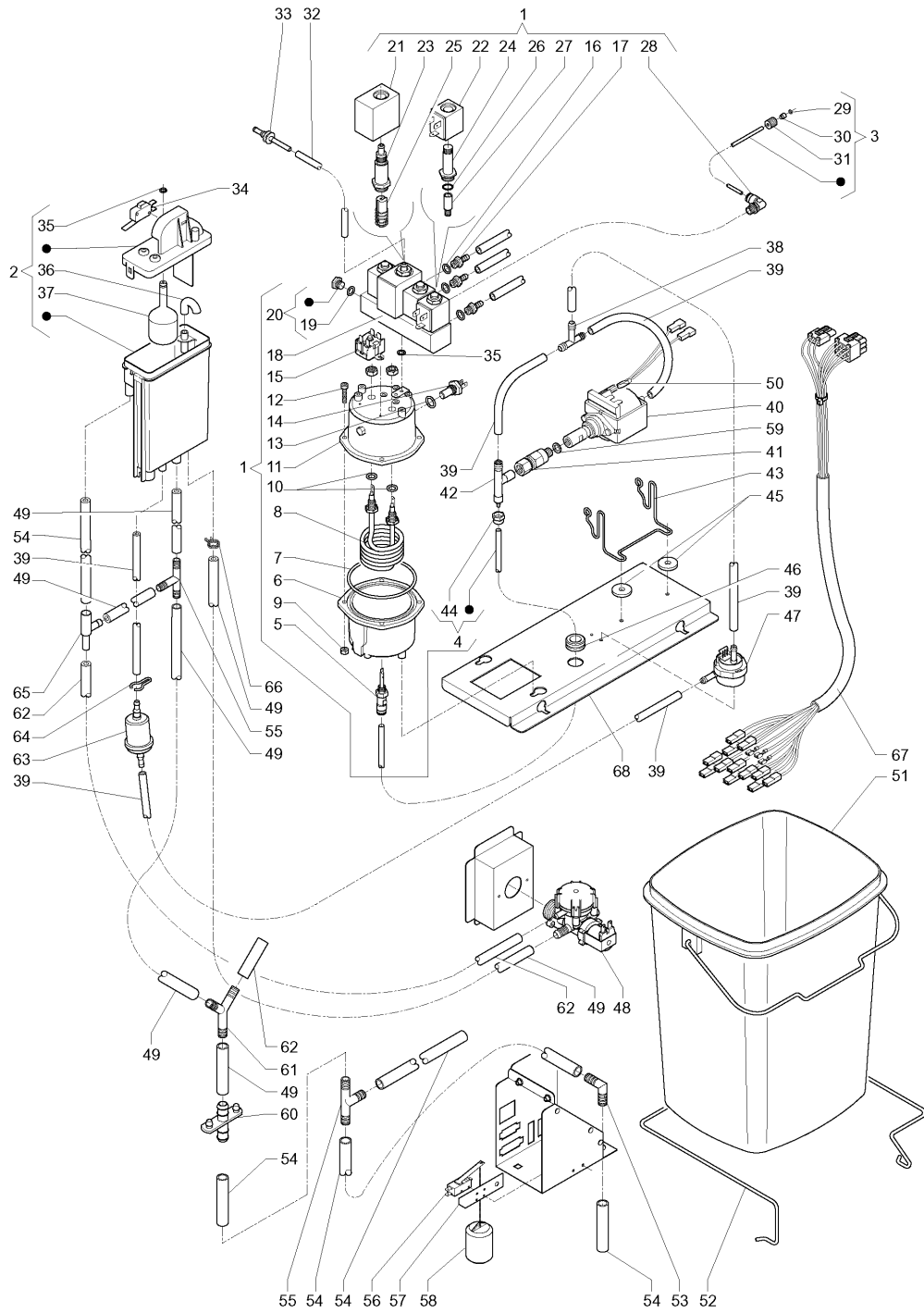
	Code	Description	Notes
47	093342	COTTER 2X15 UNI	
48	252005	BOLT REFERENCE	
49	251980	DOOR LOCKING	
50	251515	ADHESIVE SEAL (A METER)	
51	251989	LOWER HEAD ELEMENT	
52	251981	LOCK PROTECTION	
53	093890	MONEY RETURN SHUTTER	
54	097455	MONEY RETURN SHUTTER BRACKET	
55	093891	SHUTTER PIVOT	



	Code	Description	Notes
1	0V3639	PIPE GUIDE	
2	252013	FOOT-COVER	
3	252124	4 FEET KIT	
4	0V3632	LOCK COUPLER BRACKET	
5	251020	SIDE ADHESIVE LABEL FOR BLUE -USA -	



	Code	Description	Notes
1	098796	PLUG FOR SUPPLY CORD	
2	0V3201	FUSE HOLDER	
3	0V0795	6.3X32 T15A FUSE	
4	097175	CARD SPACER	
5	250873	FILTER-SUPPORT	
6	093312	WHIPPING DIAM MM 12 ART 46	
7	0V0796	ELECTRICAL NET FILTER	
8	0V2143	BOILER CONTROL BOARD	
9	097242	SUB-TERMINAL BOARD	
10	253184	3P TERMINAL BOARD	
11	253185	5-POLE TERMINAL BOARD	
12	250225	FUSE T 1,6 AMP 5X20	
13	096923	FUSE 5X20 1 AMP DELAYED ACTION	
14	097259	FUSE 5X20 4A DELAYED ACTION	
15	093916	WHIPPING OVAL	
16	252437	16 BIT CONTROL BOARD 4MB	
17	250224	TRASFORMER TYPE G49/25-25	
18	090148	CLIP	
19	097796	SWITCH	
20	0V1654	SWITCH KEY	
21	252906	GENERAL WIRING -UL-	
22	251978	ELECTRICAL PANEL COVER	

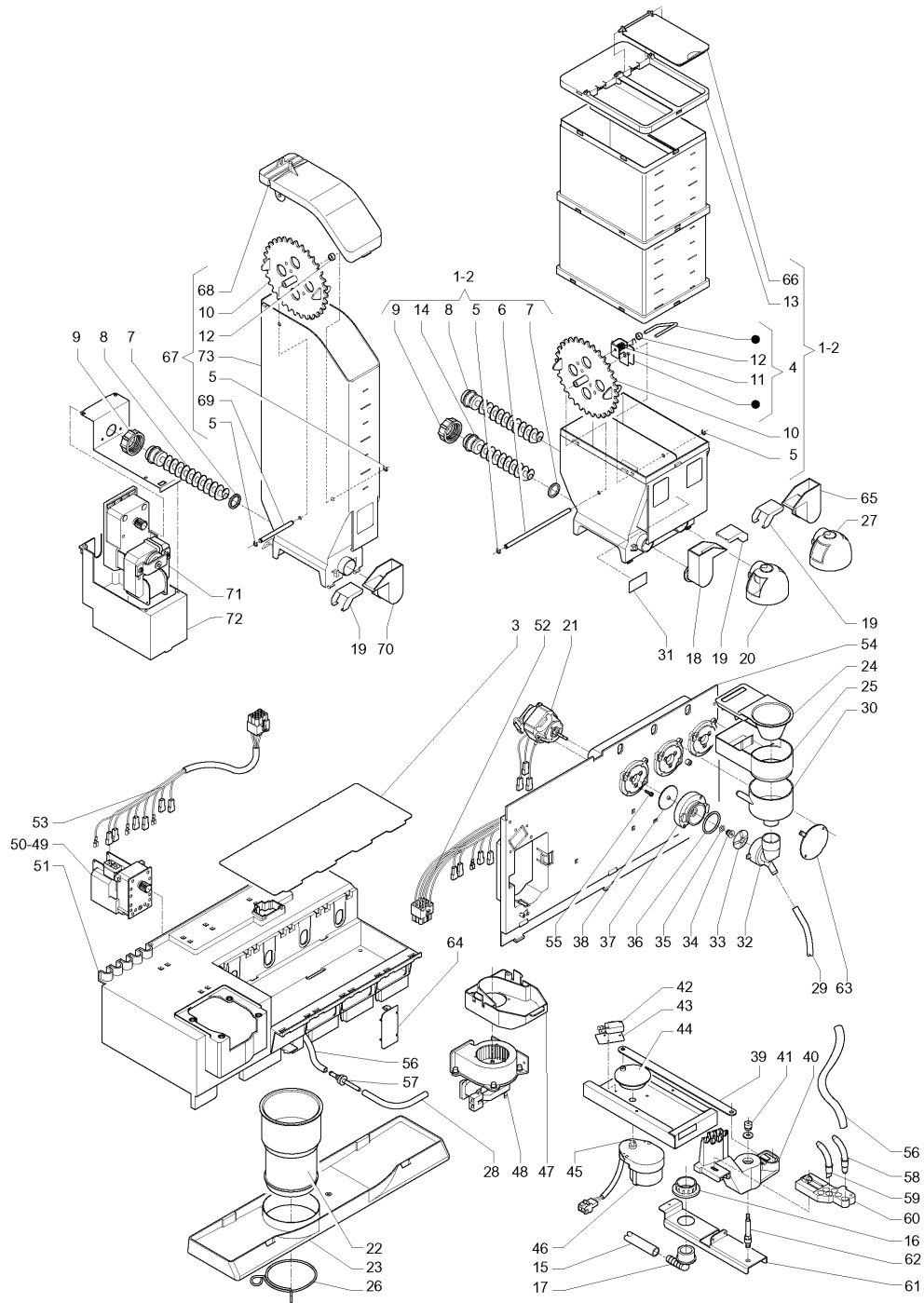


	Code	Description	Notes
1	250881	120V-60HZ 600 C.C. COFFEE BOILER	
2	0V1133	AIR-BREAK ASSEMBLY	
3	0V3676	PISTON PIPE	
4	0V3677	PUMP/BOILER PIPE	
5	0V0772	STRAIGHT CONNECTION 6/3	
6	0V0768	LOWER COVER	
7	0V0758	O-RING 4350	
8	0V0685	1100W-120V RESISTANCE	
9	985318	NUT	
10	252684	O-RING 2043	
11	0V0767	UPPER COVER	
12	096194	SCREW M6X25	
13	0V0779	O-RING 116	
14	094872	BOILER TEMPERATURE PROBE	
15	0V1385	SINGLE-POLE THERMOSTAT 125 G. 120V	
16	0V0780	O-RING 2031	
17	250874	NICKLE-PLATED 1/8' UNION	
18	250880	2+2+3+2 WAYS ELECTROVALVE 120VUL-	
19	096553	GASKET O-RING	
20	0V1600	CAP WITH O-RING	
21	0V3351	COFFEE COIL 110 V-60HZ	
22	0V1856	INSTANTS COIL 110 VOLT	
23	099105	COFFEE-ELECTROV. CONNECTION PIPE	
24	0V1953	INSTANT-ELECTROV. CONNECTION PIPE	
25	097472	3-WAY ELECTROVALVE NUCLEUS -VITON-	
26	099059	VALVE-BUSH-GASKET	
27	099058	NUCLEUS INSTANT-E.V.	
28	0V2509	UNION L-SHAPE 5X1/8	
29	094611	GASKET O-RING	
30	098711	BUSH PISTON PIPE	
31	098699	UNION FOR PISTON PIPE	
32	097529	SILICONE HOSE 3X6 BROWN	
33	099329	FUNNEL NOZZLE D. 3.4	
34	0V1141	MICROSWITCH	
35	252538	O-RING 2025	
36	0V1749	WATER/AIR-BREAK CONNECTION	
37	0V1126	AIR-BREAK FLOAT	
38	094231	UNION T-SHAPE	
39	097510	SILICONE HOSE 5X9 BROWN	
40	0V0466	PUMP 110V	
41	0V0797	NON-RETURN VALVE	
42	0V0798	PUMP BY-PASS	
43	098697	PUMP SUPPORT	
44	099107	NUT	
45	093091	PUMP DAMPER	
46	090021	WHIPPING DIAM 10,5 MM	

	Code	Description	Notes
47	098707	VOLUMETRIC COUNTER	
48	0V0469	ELECTROVALVE 2,5 L/M 110V	
49	097685	SILICONE HOSE BROWN 7,5X12	
50	098815	THERMIC PROTECTION	
51	097530	SQUARE WASTE BASKET BROWN	
52	0V3653	LIQUID CONTAINER STOP	
53	094571	UNION 90 DEGREES	
54	097515	SILICONE HOSE 10X16 BROWN	
55	096552	UNION T-SHAPE	
56	252585	MICROSWITCH	
57	092761	INSULATING DISK	
58	094294	FLOAT	
59	251143	ALUMINIUM WASHER	
60	250352	UNION	
61	093959	UNION Y-SHAPE DIAM 12 OUTER	
62	097512	SILICONE HOSE 6X12 BROWN	
63	097435	WATER FILTER VOLUMETRIC COUNT	
64	093957	TUBE CLAMP	
65	094185	CONDENSE RECOVERY UNION	
66	097002	HOSE CLIP	
67	250877	COFFEE BRACKET WIRING -UL -	
68	250367	BOILER BRACKET	

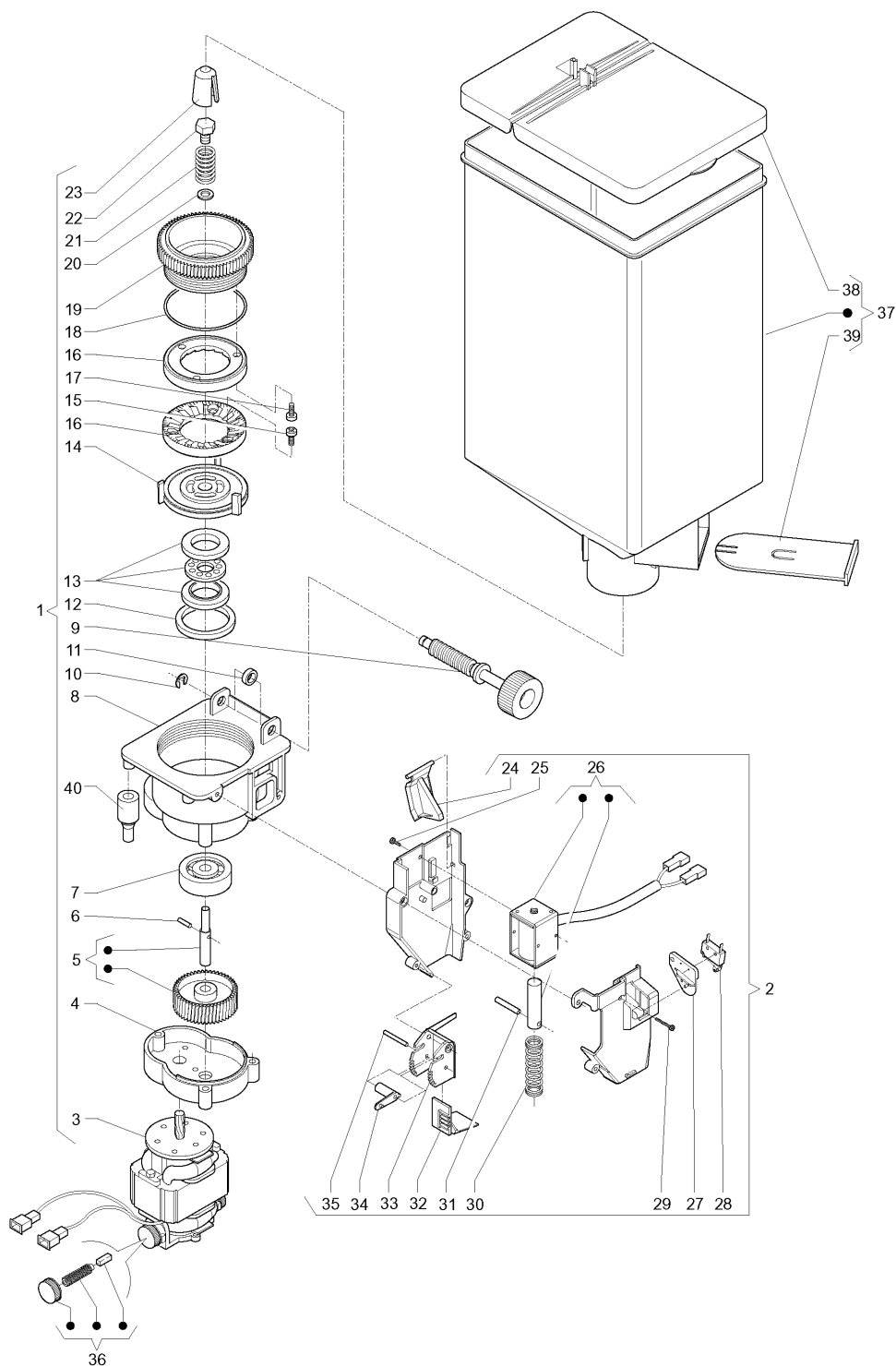
	Code	Description	Notes
1	252911	CUPS DISTRIBUTOR -12OZ- WITH BASE	
2	252912	CUPS-CONTAINER-12OZ-	
3	093916	WHIPPING OVAL	
4	251277	DISPENSING COMPARTMENT BACK SUPPORT	
5	093628	HOSE VIPLA TRANSPARENT DIAM MM 14X1	
6	096977	KNURL	
7	0V4265	BLACK DISP.OPENING BACK PANEL+HOLES	
8	092738	WEDGE BUMPER	
9	0V3649	BRACKET LOCK-OUT LEVER	
10	0V3685	DOUBLE HINGE	
11	0V3641	HINGE SUPPORT	
12	0V3654	FULCRUM PIN	
13	0V3684	CUP STATION BRACKET	
14	097508	LOCKING MAGNET	
15	252558	PINION	
16	252554	LOWER SHELL -12 OZ-	
17	252559	TOOTHED RING -12 OZ-	
18	252557	SCROLL DIAM.80/81	
19	252556	MOTOR COVER	
20	090681	INSULATING DISK	
21	252555	UPPER SHELL -12 OZ-	
22	987628	EJOT-PT-SCREW 30X8	
23	0V3031	3 RPM REDUCTION GEARMOTOR	
24	092439	MICRO TYPE 'CHERRY'	
25	250229	1 RP/1,5M 120V REDUCTION GEARMOTOR	
26	0V2548	LEVER FOR MICROSWITCH	
27	252552	CUP BASE -12 OZ-	
28	097807	BUTTON	
29	252560	CUP RELEASING WIRING	
30	0V3658	CUP CONTAINER COVER	
31	252785	CUPS CHUTE -12 OZ-	
32	252551	CONTAINER BASE -12 OZ-	
33	252553	CUP RELEASING 80/81 -120V-	
34	250347	DISPENSING COMPARTMENT TRAY -BLACK-	
35	250354	BLACK DISPENSING OPENING GRID	
36	0V0906	CATADIOPTRIC PLATE	
37	251018	LAMP - UL -	
38	0V3717	GLASS	
39	250991	LAMP-HOLDER - UL -	
40	0V4253	PROTECTION SQUARE	
41	250879	LAMP WIRE -UL -	
42	099184	CUP POSITIONING PIN	
43	096863	PIVOT WASHER	
44	0V2149	PHOTOCELL	
45	0V4175	PHOTOCELL SUPPORT	
46	0V4251	LAMP SUPPORT	

	Code	Description	Notes
47	0V4176	CATADIOPTIC SUPPORT	
48	252844	CUP DISPENSER WIRING -12OZ-	
49	251019	CUP CHUTE COVER	
50	097699	KNURLED NUT M4	

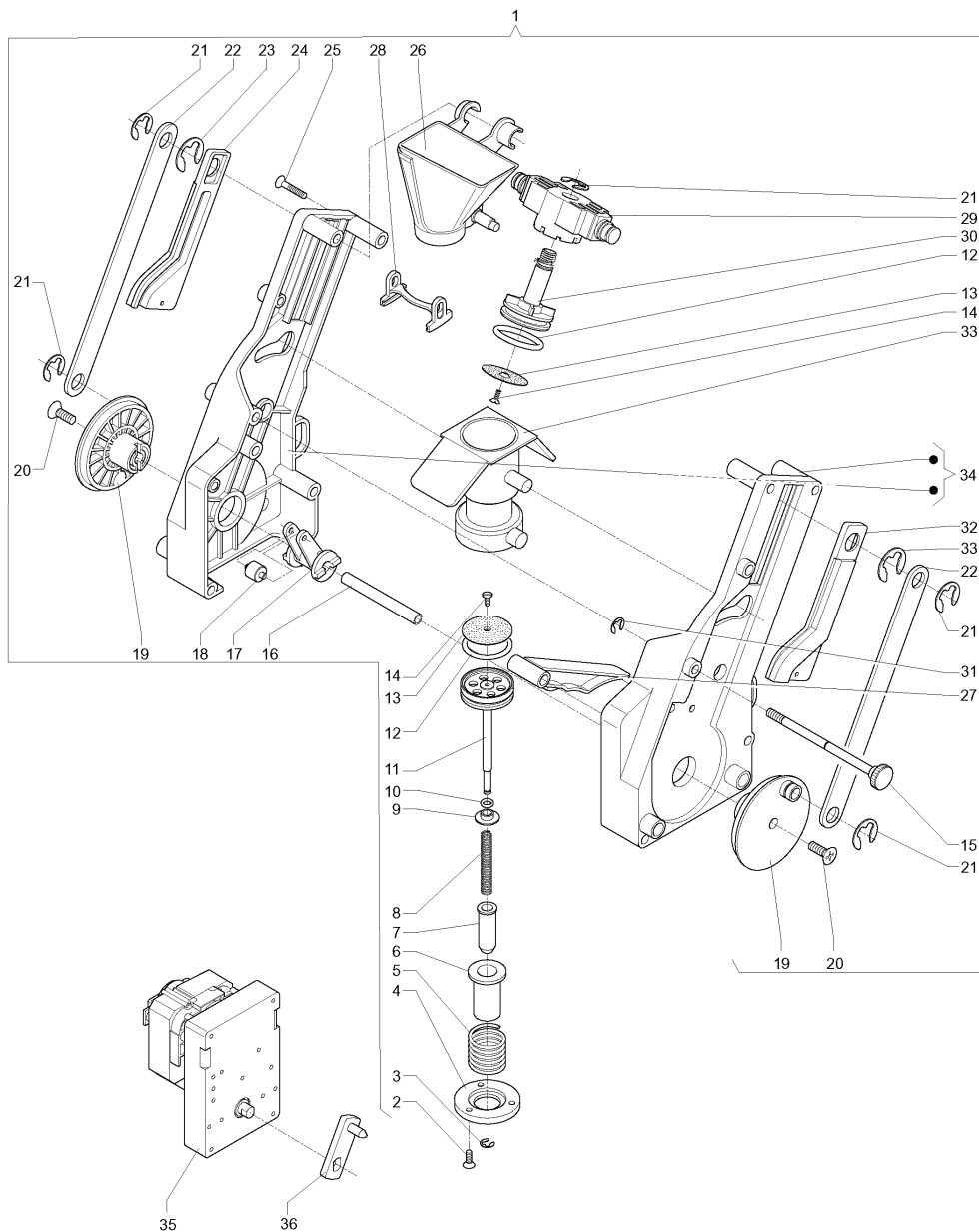


	Code	Description	Notes
1	0V3855	RIGHT LONG AUGER CONTAINER+BEATER	
2	250885	LEFT LONG AUGER CONTAINER+BEATER	
3	0V3638	INTAKE OPENING COVER	
4	099494	CANISTER-BEATER	
5	091959	BENZING COLLAR DIAM MM4	
6	0V3728	WHEEL PIN	
7	095829	GASKET O-RING	
8	098608	LONG SCROLL	
9	095849	CONTAINER RING NUT	
10	095936	WHEEL	
11	099442	SPRING	
12	098812	SPACER	
13	0V3722	CONTAINER EXTENSION COVER	
14	098609	SCROLL	
15	097515	SILICONE HOSE 10X16 BROWN	
16	099643	COLLAR	
17	0V2066	3/4 ANGLED RUBBER HOLDER	
18	0V2070	RH POWDER FEEDER	
19	0V2076	CONVEYOR COVER	
20	0V1536	ROUND SPHERICAL CONTAINER OPENING	
21	0V0450	MOTORMIXER 110V	
22	0V3698	USED DOSE DISCHARGE PIPE	
23	0V3689	MIXER TRAY	
24	0V1534	DRAWER COVER	
25	0V1537	SUCTION DRAWER	
26	094048	BAG LOCK COLLAR	
27	0V3719	SQUARE SPHERICAL OPENING	
28	097529	SILICONE HOSE 3X6 BROWN	
29	097511	SILICONE HOSE 6X9 BROWN	
30	0V1535	WATER FUNNEL	
31	097502	NAMEPLATE GROUP CONTAINER INSTANT P	
32	0V2519	CONVEYOR FOR MIXER	
33	097916	MIXER VENTILATOR	
34	097917	BUSH SEAL	
35	0V0775	O-RING 106	
36	0V0776	O-RING 3125	
37	097911	FLANGE FOR MIXER	
38	099889	DISK	
39	0V3643	CONTROL CON-ROD	
40	0V3699	NOZZLE SHIFT ARM	
41	093828	KNURL	
42	0V1930	MICROSWITCH 'UL'	
43	090681	INSULATING DISK	
44	251519	CRANK	
45	096904	ELASTIC PLUG 1,5X8	
46	250228	12 RPM 120V REDUCTION GEARMOTOR	

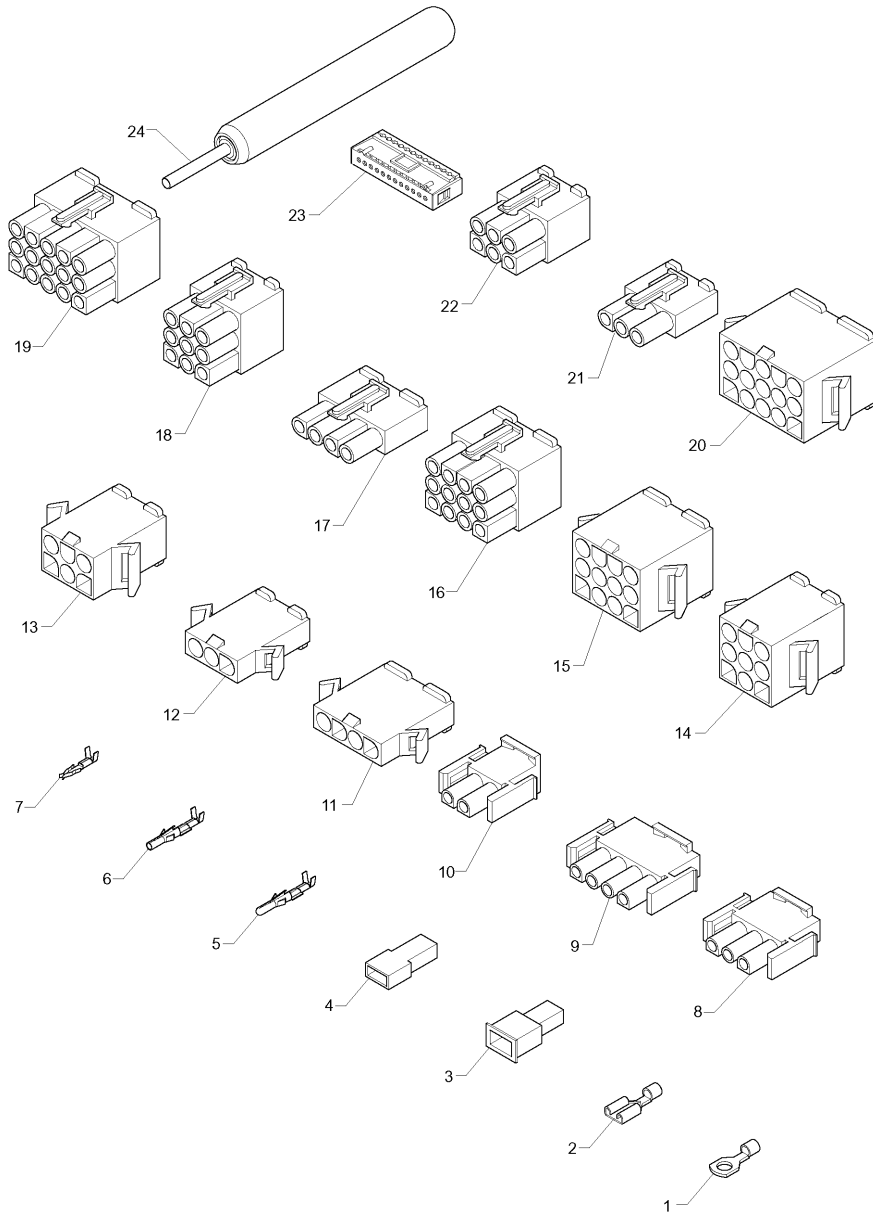
	Code	Description	Notes
47	0V3700	FAN SUPPORT	
48	0V0464	ELECTROVENTILATOR 110V	
49	250226	48 RPM 120V REDUCTION GEARMOTOR	
50	250227	64 RPM 120V REDUCTION GEARMOTOR	
51	0V3711	RATIOMOTOR SUPPORT	
52	250878	MIXER BRACKET WIRING -UL -	
53	251013	DOSING UNIT BRACKET WIRING -UL-	
54	0V3712	MIXER BRACKET	
55	099773	SCREW	
56	097510	SILICONE HOSE 5X9 BROWN	
57	099329	FUNNEL NOZZLE D. 3.4	
58	097922	NOZZLE	
59	097953	POINTED NOZZLE	
60	098067	SUPPORT FOR INSTANT NOZZLES	
61	0V3642	ARM SUPPORT	
62	0V3655	ARM ROTATION PIN	
63	0V3716	MIXER PLUG	
64	0V3724	BRACKET COVER	
65	0V2072	LH POWDER FEEDER	
66	0V3723	COVER	
67	0V2174	LONG AUGER CONTAINER	
68	0V2048	POWDER CONTAINER LID	
69	0V1962	PIN FOR WHEEL	
70	250886	CAFFEINE-FREE COFFEE SUPPLY PIPE	
71	250230	48 RPM 120V REDUCTION GEARMOTOR	
72	0V3710	CONTAINER BASE BRACKET	
73	253262	CONTAINER CASING	



	Code	Description	Notes
1	0V0443	GRINDER 110V	
2	0V2700	COFFEE DOSER 110V-60HZ	
3	0V0452	GRINDER MOTOR 110V	
4	099468	SUPPORT	
5	099470	SHAFT WHEEL	
6	098293	ELASTIC PLUG	
7	095803	RADIAL BEARING	
8	099469	CAP	
9	099474	REGULATION SCREW	
10	093171	OUTER FIXING COLLAR DIAM MM6	
11	099457	WASHER	
12	093271	COFFEE JUNK RING	
13	093187	THRUST BEARING	
14	095802	GRINDER HOLDER IMPELLER	
15	095809	SELF-THREADING SCREW (M4)	
16	095840	GRINDER	
17	097879	NICKELPLATED SCREW	
18	095805	GASKET O-RING	
19	099473	GRINDER HOLDER	
20	096988	WASHER	
21	099471	SPRING	
22	099472	LEFT SCREW	
23	0V2520	SCREW PROTECTION	
24	099475	ACTUATOR	
25	092657	CLOSS SLOT SCREW 3X6TC	
26	0V0468	ELECTROMAGNET 110V	
27	0V2082	ADAPTER PLATE	
28	0V2131	BURGESS MICRO-SWITCH	
29	096097	SCREW	
30	098696	SPRING DOSER ELECTROMAGNET	
31	093832	ROD PIVOT	
32	098643	RULE COFFEE-DOSES	
33	098642	SHUTTER COFFEE-DOSER	
34	098644	LEVER FOR RULE	
35	098822	PIN FOR LEVER	
36	0V3229	MOTORBRUSH KIT FOR 099732	
37	0V3681	COFFEE CONTAINER	
38	0V0421	COVER	
39	098630	ROLL-UP FOR CONTAINER	
40	099484	LITTLE RUBBER	



	Code	Description	Notes
1	252847	Z3000L COFFEE ASSEMBLY -12OZ-	
2	097879	NICKELPLATED SCREW	
3	098818	STOPPING RING D.4	
4	098569	FLANGE FOR SPRING	
5	098689	PREINFUSION SPRING	
6	098567	LID FOR SPRING	
7	098691	LOWER PISTON GUIDE	
8	098688	PISTON RETURN SPRING	
9	251756	RETAINER BUSHING	
10	0V0782	O-RING 2025	
11	251759	LOWER PISTON	
12	251757	SILICONE OR SEAL GASKET	
13	251755	DIAM. 42 COFFEE FILTER	
14	094508	SCREW TS M4X10	
15	252020	TIEROD WITH KNURLED NUT	
16	098693	ROD CRANK BLOCKING	
17	098574	ROTATING LEVER	
18	098692	ROTATING LEVER ROLL	
19	252491	COFFEE GROUP CRANK	
20	0V3889	SCREW 6X14	
21	092717	FIXING COLLAR DIAM MM10	
22	098565	TRACE FOR PISTON COMMAND	
23	096569	FIXING COLLAR DIAM 12	
24	098571	REAR SLEDGE	
25	250290	SCREW 4,2X26	
26	252846	DECAF COFFEE FEED SLIDE	
27	098575	OSCILLATING LEVER	
28	251761	COFFEE SCRAPER	
29	098568	CROSS-BAR	
30	251758	UPPER PISTON	
31	091287	OUTER FIXING COLLAR	
32	098572	FRONT SLEDGE	
33	251760	OVERSIZE INFUSION CHAMBER	
34	251101	RH-LH SUPPORT	
35	0V0458	MOTOREDUCER 110V	
36	098763	CRANK WITH PIN	



	Code	Description	Notes
1	090957	EYELET TERMINAL	
2	090959	FASTON W/O TONGUE	
3	091192	FASTON COVER	
4	090247	FEMALE FASTON COVER	
5	095955	TERMINAL MALE	
6	096136	TERMINAL FEMALE	
7	094405	TERMINAL FEMALE 2,5	
8	094954	FEMALE HOLDER CONNECTOR 3-WAYS	
9	098062	4-WAY CONNECTOR MATE-N-LOK AMP	
10	094955	FEMALE HOLDER CONNECTOR 2-WAYS	
11	0V0809	4-PIN CONNECTOR/P MOLEX 3191	
12	0V0808	3-PIN CONNECTOR/P MOLEX 3191	
13	0V0810	6-PIN CONNECTOR/P MOLEX 3191	
14	0V0811	9-PIN CONNECTOR/P MOLEX 3191	
15	0V0812	12-PIN CONNECTOR/P MOLEX 3191	
16	0V0818	12-PIN CONNECTOR/P MOLEX 3191	
17	0V0815	4-PIN CONNECTOR/P MOLEX 3191	
18	0V0817	9-PIN CONNECTOR/P MOLEX 3191	
19	0V0819	15-PIN CONNECTOR/P MOLEX 3191	
20	0V0813	15-PIN CONNECTOR/P MOLEX 3191	
21	0V0814	3-PIN CONNECTOR/P MOLEX 3191	
22	0V0816	6-PIN CONNECTOR/P MOLEX 3191	
23	094961	FEMALE HOLDER CONNECTOR P.I. 12-W	
24	0V0820	MOLEX CONTACT PULLER	