

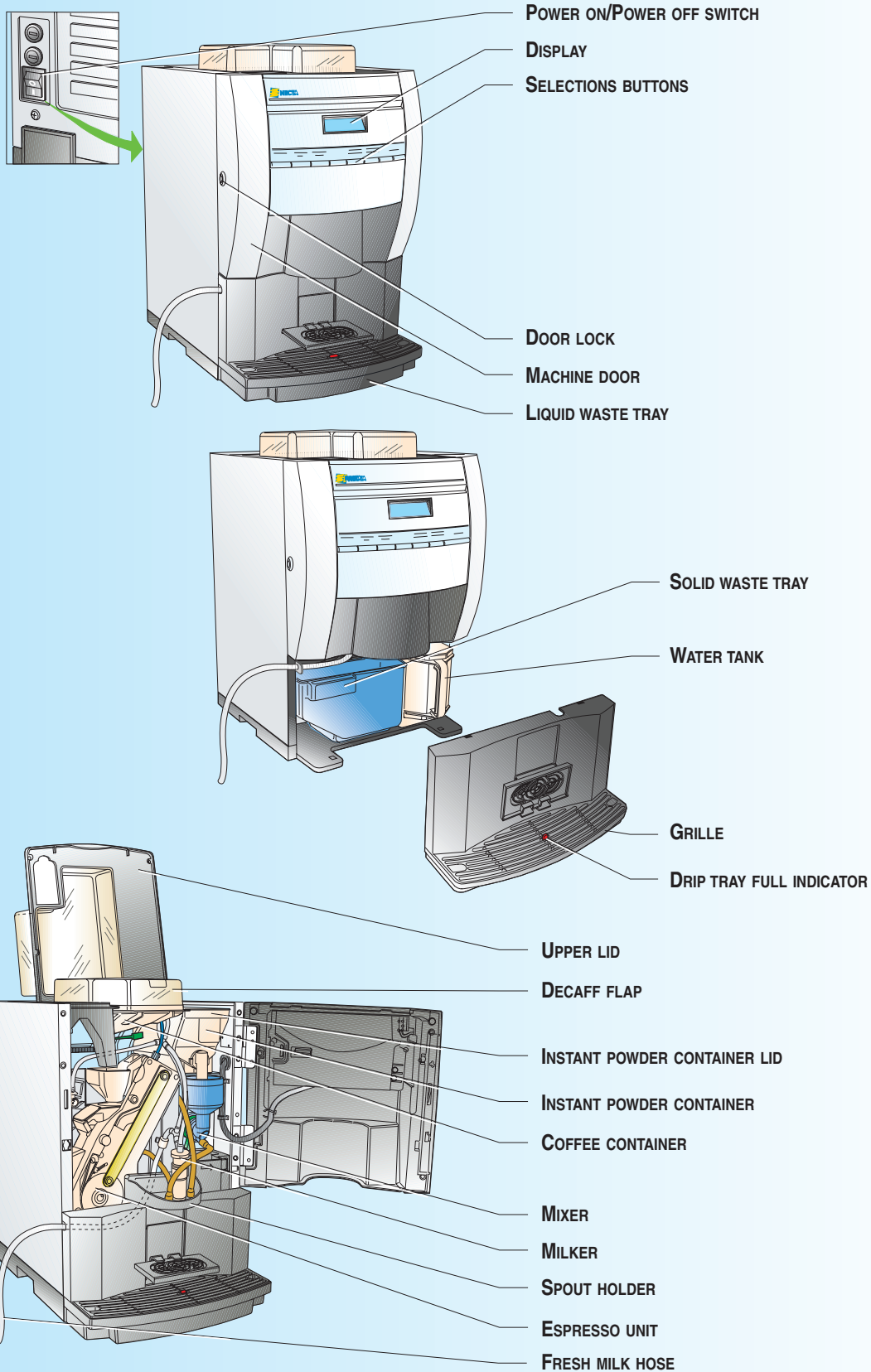
Below there are some simple instructions for loading and cleaning your machine.



WARNING



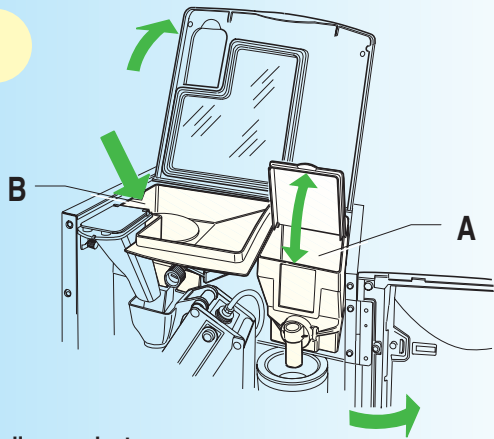
Operations to do with the machine turned ON.



CLEANING / LOADING

LOADING

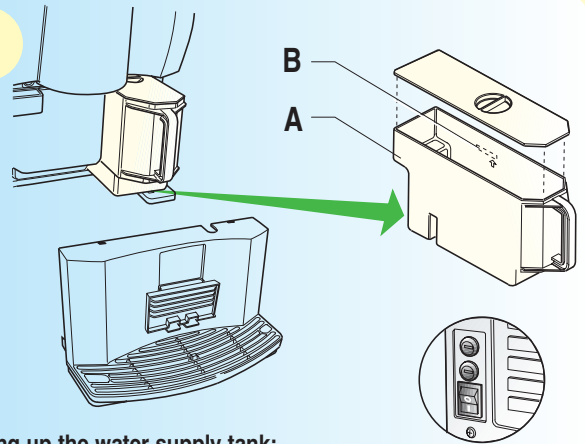
1



Loading products:

- Open the dispenser door.
- Lift the lid and open the instant powder container's lid (A).
- Load the product in (A), taking care not to compact the instant powder.
- Load container (B) with coffee beans.

2

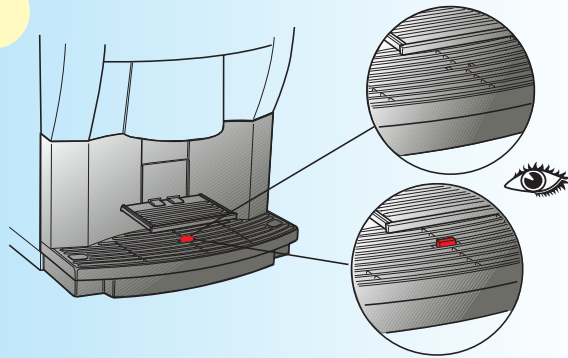


Filling up the water supply tank:

- Remove the liquid waste tray.
- Remove the water tank (A) by pulling on its handle.
- Fill the tank with drinking water up to the maximum level (B).
- Fit both the water tank and the liquid waste tray back into place.

REGULAR CLEANING

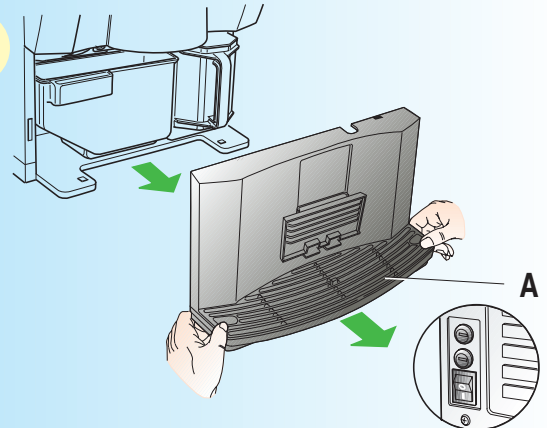
1



Emptying the liquid waste tray:

When the red float signal lifts up through the grille, it is necessary to empty the liquid waste tray immediately. The dispenser will then work normally. **It is advisable not to wait until the red drip tray full indicator is visible. It is recommended that the liquid waste tray is emptied regularly.**

2

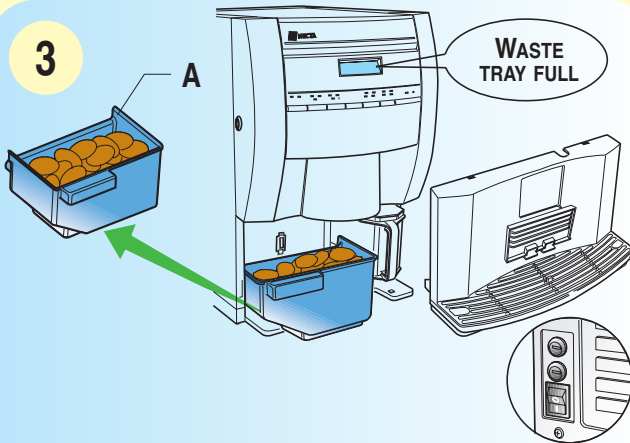


Emptying the liquid waste tray:

- Take hold of the sides of the liquid waste tray (A) firmly, then lift slightly and pull forward.
- Empty the tray and if necessary, wash it using a mild detergent solution.
- Re-fit the tray back into position.

REGULAR CLEANING

3

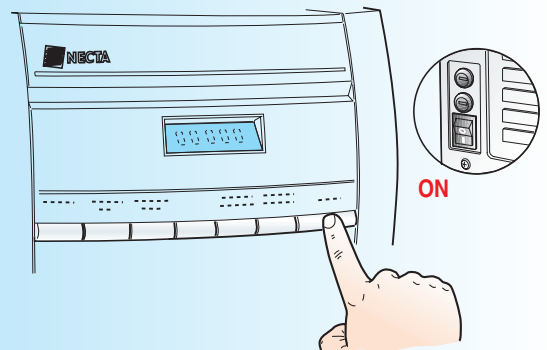


Emptying the solid waste tray:

When the "WASTE TRAY FULL" message appears on the display, the solid and liquid waste trays require emptying:

- Take hold of the sides of the liquid waste tray firmly, lift and pull.
- Remove the solid waste tray (A) and empty it.
- Fit both the solid and the liquid waste trays back into position.

4

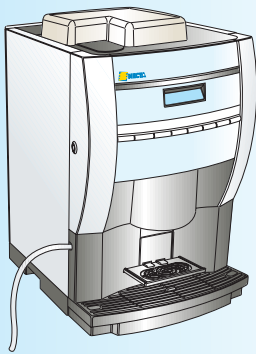


Rinsing the mixer:

- Press and hold the last selection button for 3 seconds.
 - When "Password" appears on the display.
 - Enter password for rinse function.
- The mixer rinsing cycle must be carried out regularly or after loading the instant powder.**

CLEANING THE MILK CIRCUIT

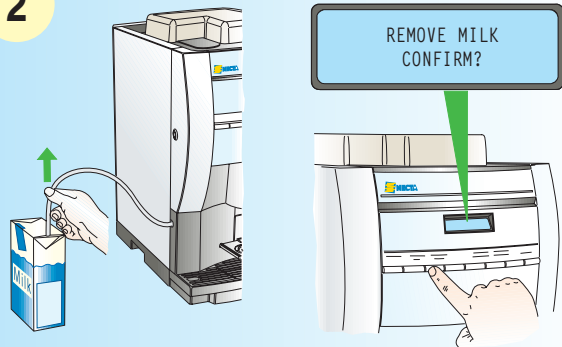
1



CLEANING OF THE MILK CIRCUIT MUST BE CARRIED OUT AT THE END OF USE.

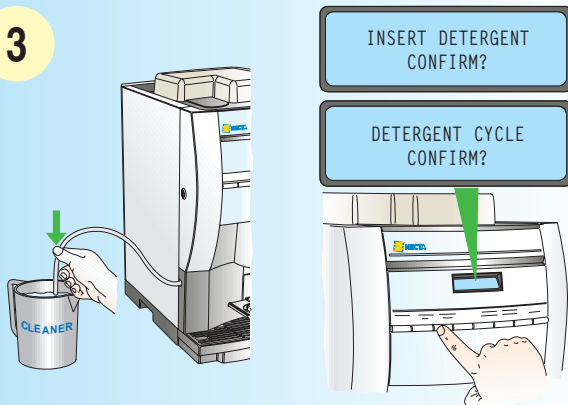
- At power-on and during a mixer rinse the machine proposes the steps to be carried out for washing the milk circuit.
- It may be useful to place a container under the spouts for collecting the liquid residue from washing.

2



- Take the priming tube out of the fresh milk container.
- Press the confirmation button (third one) to continue.

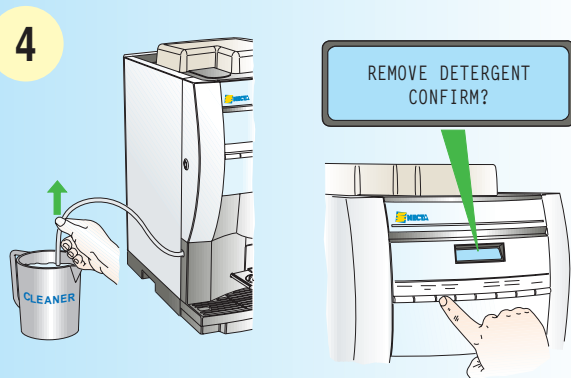
3



DO NOT USE DETERGENTS THAT ARE TOO SCENTED.

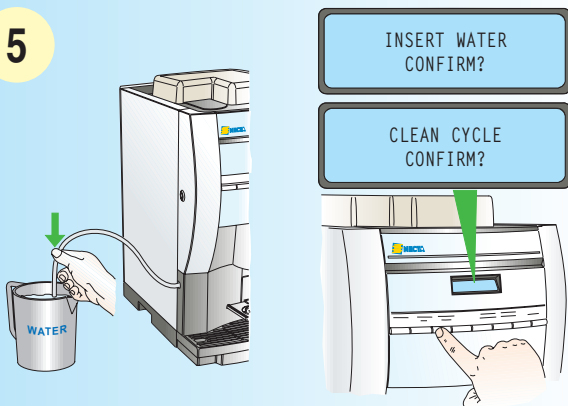
- Insert the priming tube in a container with a detergent solution.
- Press twice the confirmation button (third one) to start the cleaning cycle.

4



- Take the priming tube out of the container with the solution used.
- Press the confirmation button (third one) to continue.

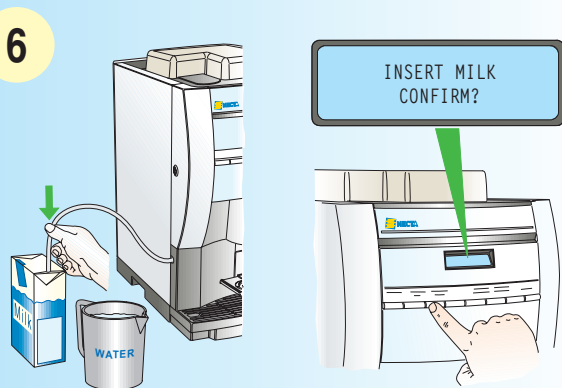
5



RINSING MUST ALWAYS BE CARRIED OUT AT THE END OF THE CLEANING CYCLE.

- Insert the priming tube in un container with clean water.
- Press twice the confirmation button (third one) to start the rinse cycle.

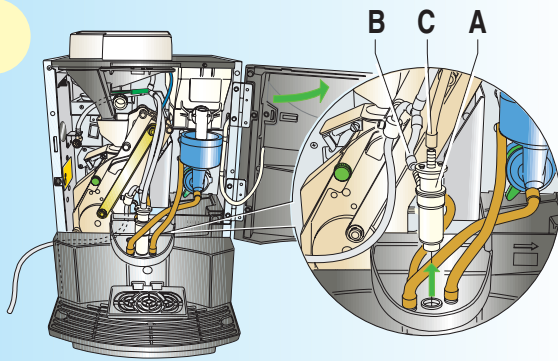
6



- Replace the priming tube in the fresh milk container.
- Press the confirmation button (third one) to complete.
- Empty out all washing residue from the liquid waste container.

CLEANING THE MILKER NOZZLE

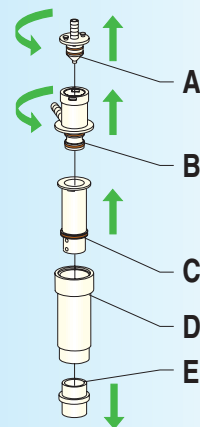
1



THE MILKER NOZZLE MUST BE DISASSEMBLED REGULARLY FOR CLEANING.

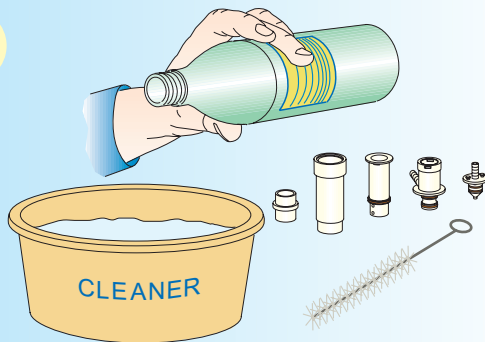
- Open the machine door and disconnect tubes (B) and (C) from the milker (A).
- Remove the milker from the spouts support.

2



- Rotate and pull at the same time part (A).
- Rotate and pull at the same time part (B).
- Separate parts (C), (D) and (E).

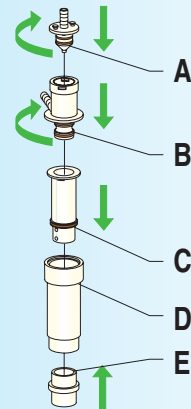
3



DO NOT USE DETERGENTS THAT ARE TOO SCENTED.

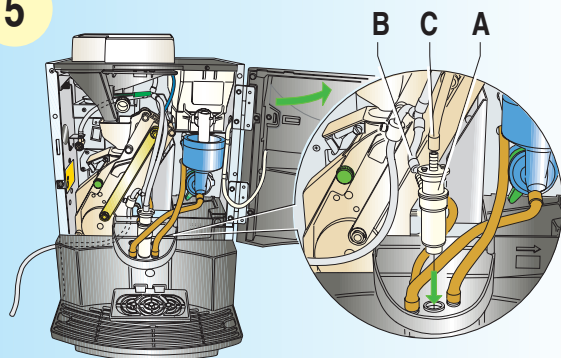
- Wash all parts with the detergent solution taking care to mechanically remove all visible residue and product layers, using a brush, if necessary.
- Rinse and dry thoroughly all parts.

4



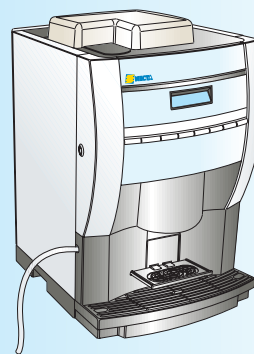
- Reassemble parts (C), (D) and (E).
- Replace part (B) and rotate to secure it.
- Replace part (A) and rotate to secure it.

5



- Replace milker nozzle (A) in the spouts support.
- Correctly reconnect tubes (B) and (C) to the milker nozzle.

6



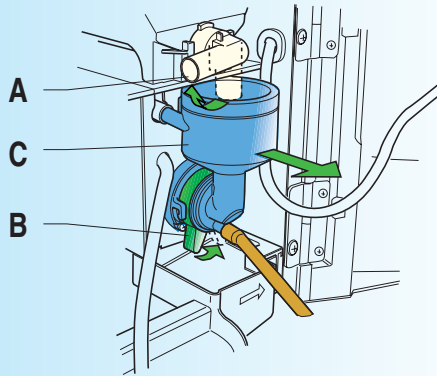
- Close the machine door.



AT POWER-ON THE PROCEDURE FOR WASHING THE MILK CIRCUIT IS PROPOSED. PRESS THE THIRD BUTTON TO START THE PROCEDURE OR ANY OTHER BUTTON TO SKIP THE OPERATION.

DEEP CLEANING

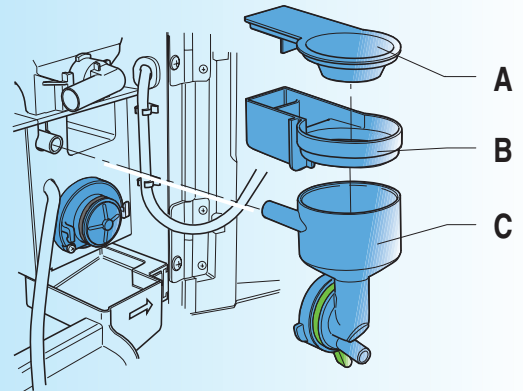
1



Removing and sanitising the mixer:

- Detach tube from mixer.
- Rotate the product dispensing nozzle (A) upwards to make operation easier.
- Rotate the lever (B) anticlockwise.
- Take hold of the mixer assembly (C) firmly, and pull.

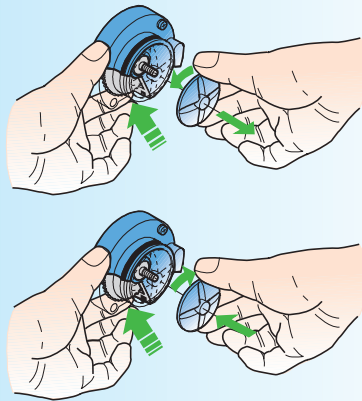
2



Removing and sanitising the mixer:

- Separate all the mixer assembly components: product funnel (A), powder deposit drawer (B), mixing bowl (C).
- Wash, rinse and dry completely.

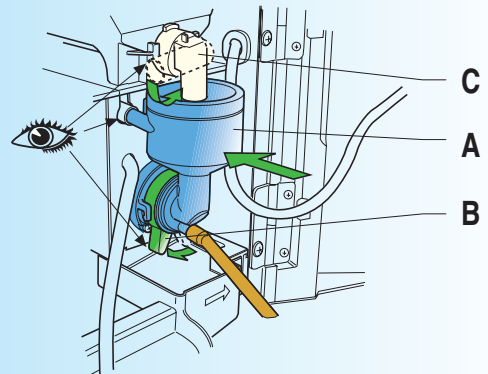
3



Removing and sanitising the mixer:

- To remove mixer impellers, use a finger to hold the cogged disk fitted on the mixer shaft below the mixer chamber and unscrew the impeller.
- Thoroughly wash and clean all of the removed components.
- Reassemble the impeller.

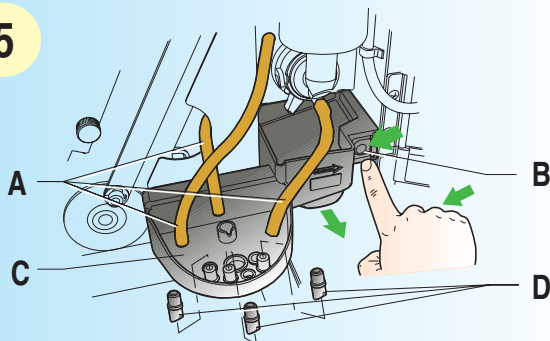
4



Reassemble the mixer:

- Reassemble all the mixer (A) components.
- Rotate the lever ring (B) clockwise to lock the mixer onto the dispenser.
- Rotate the product dispensing nozzle (C) back down again.
- Connect the tube to the mixing bowl.

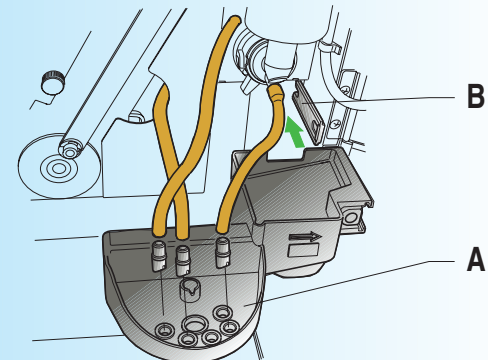
5



Cleaning the dispensing spouts:

- Detach the tubes (A) from the dispensing spouts.
- Press pushbutton (B) to release the dispensing spouts carrier plate (C).
- Detach the dispensing spouts (D) from spout holder (C).
- Thoroughly, wash and clean all the relative components.

6

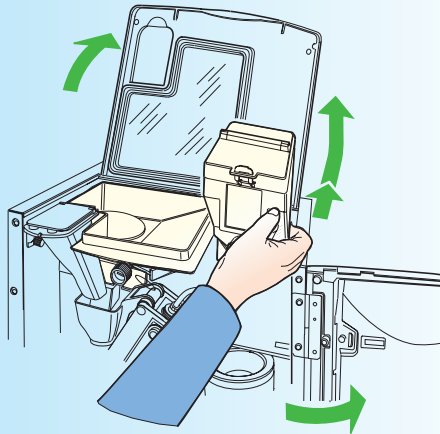


Assembling of the dispensing spouts carrier plate:

- Insert the dispensing spout holder (A) into guide (B) press until it clicks.
- Reinsert the dispensing spouts onto the spout holder and connect the tubes onto their spouts.

DEEP CLEANING

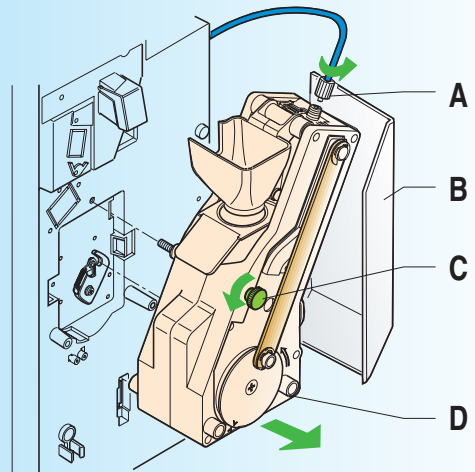
7



Instant powder container:

- Open the door of the dispenser and lift the lid.
- Lightly push back and lift the instant powder container.
- Remove it from the dispenser.
- Brush the container and base.
- Refit the container into dispenser.

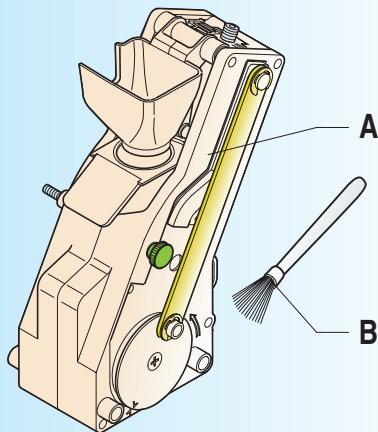
8



Removing and cleaning the espresso brewing unit:

- Undo the hose connection ring (A) making sure not to lose the gasket.
- Detach the coffee waste conveyor (B).
- Undo fixing pin (C).
- Remove the espresso brewing unit (D).
- Brewer unit can be washed with running water.
- Dry and re fit the espresso brewing unit.

9

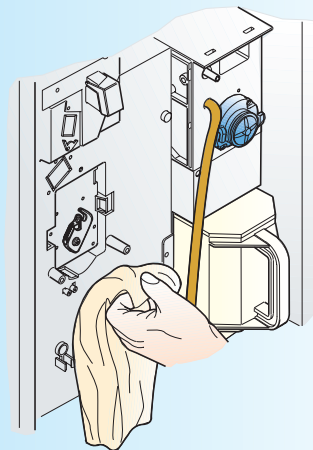


TO PREVENT OXIDATION OR THE ACTION OF CHEMICAL AGENTS USE MILD DETERGENTS ONLY (SOLVENTS MUST NOT BE USED)

Removing and cleaning the espresso brewing unit:

- Every time the unit is filled up or at least once weekly, remove any coffee residues from around the brewing unit (A).
- To do so, simply use a brush (B) or a small vacuum cleaner.

10



Internal dispenser cleaning:

- Clean the inside of the dispenser using a mild detergent solution.
- Do not use scented cleaning products.