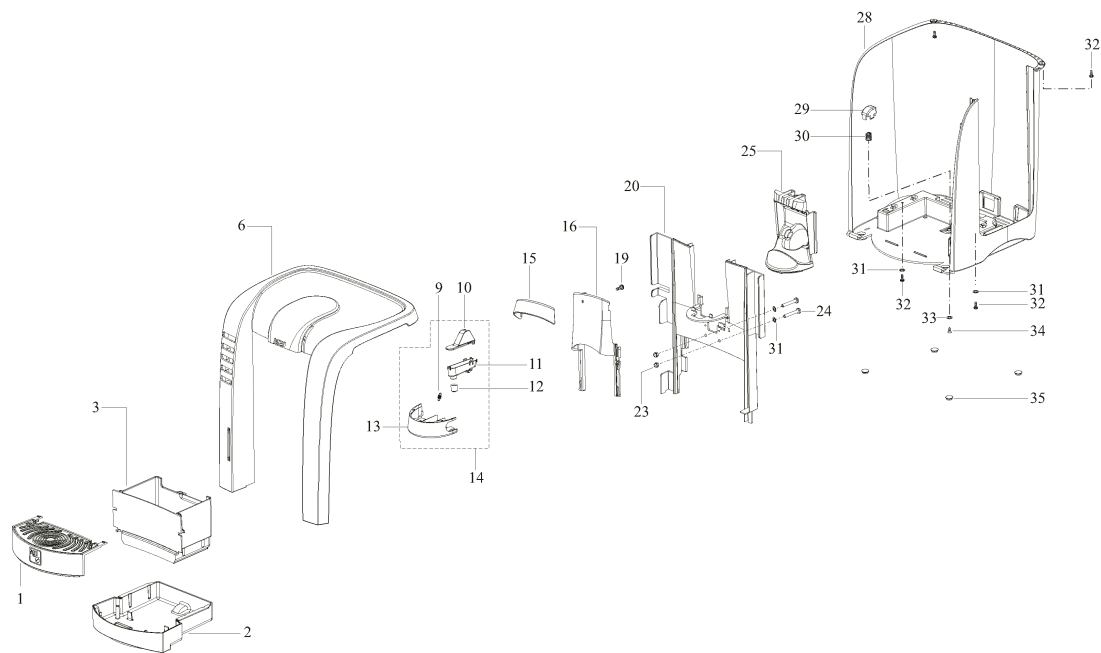
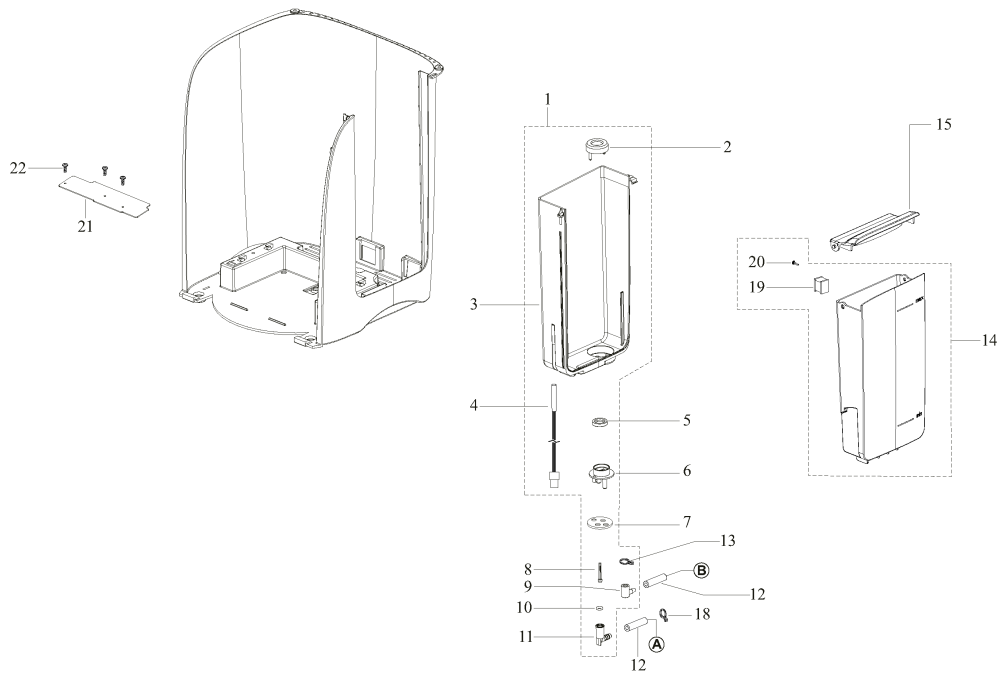


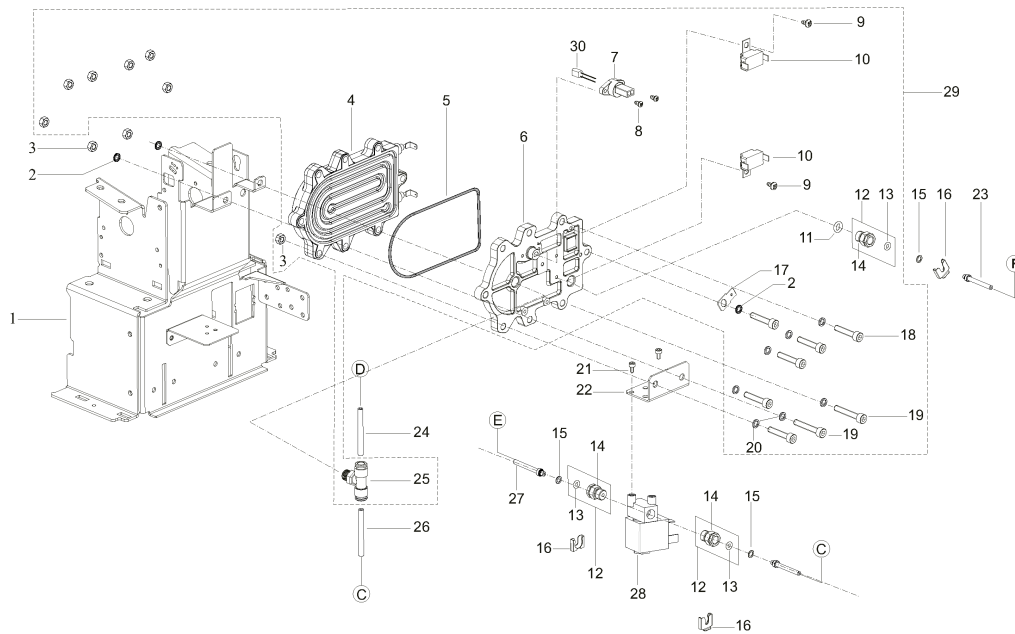
Rotary Lux Caps UL 120V 60HZ



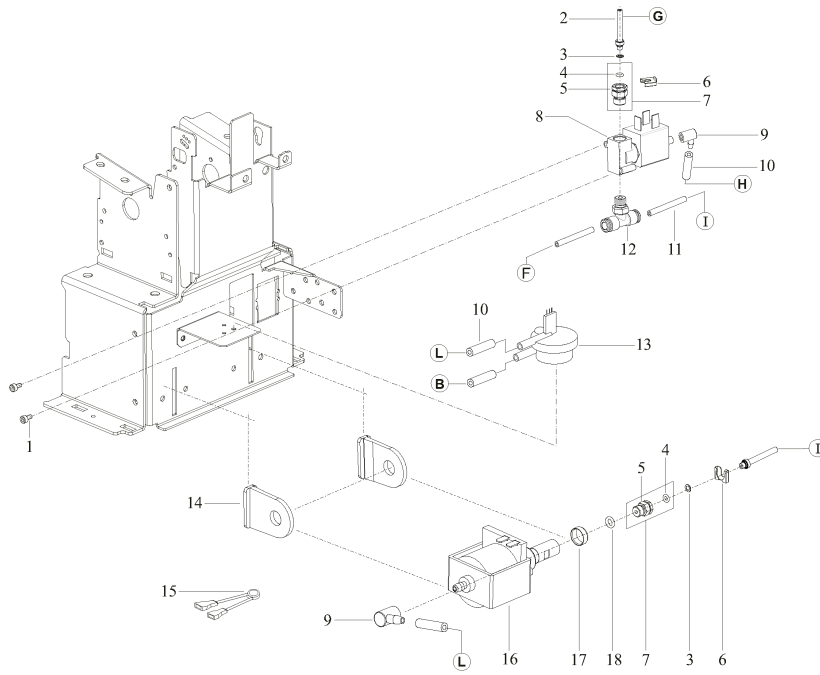
	Code	Description	Notes
1	501917	CUP SUPPORT GRID. CHROME	
10	501938	REGULATOR COVER	
11	501937	SWIVEL REGULATOR	
12	501939	REGULATOR EXTENSION	
13	501936	COFFEE NOZZLE. CHROME	
14	501941	ASSEMBLED COFFEE NOZZLE + REGULATOR	
15	501935	DOOR HANDLE. CHROME	
16	502106	DOOR, BLACK UL	
19	500128	SELF-TAPPING SCREW 2.9X9.5	
2	502101	DRIP TRAY, BLACK UL	
20	502107	FRONT PANEL, BLACK UL	
23	501969	CAP HEAD NUT M3	
24	500900	SCREW M3X16	
25	502152	ADAPTOR, BLACK UL UNIM	
28	502109	BASE, BLACK UL	
29	501951	PUSH BUTTON	
3	502102	DRAWER, CAPSULE/PODS, BLACK UL	
30	501952	SPRING	
31	500055	WASHER 4.3X12X1	
32	500242	SELF-TAPPING SCREW 3.5X9.5	
33	501558	FLAT WASHER 4.3*9	
34	500217	SELF-TAPPING SCREW 3.5X13	
35	500027	FOOT	
6	502103	BODYWORK, BLACK UL	
9	501940	SPRING FOR REGULATOR	



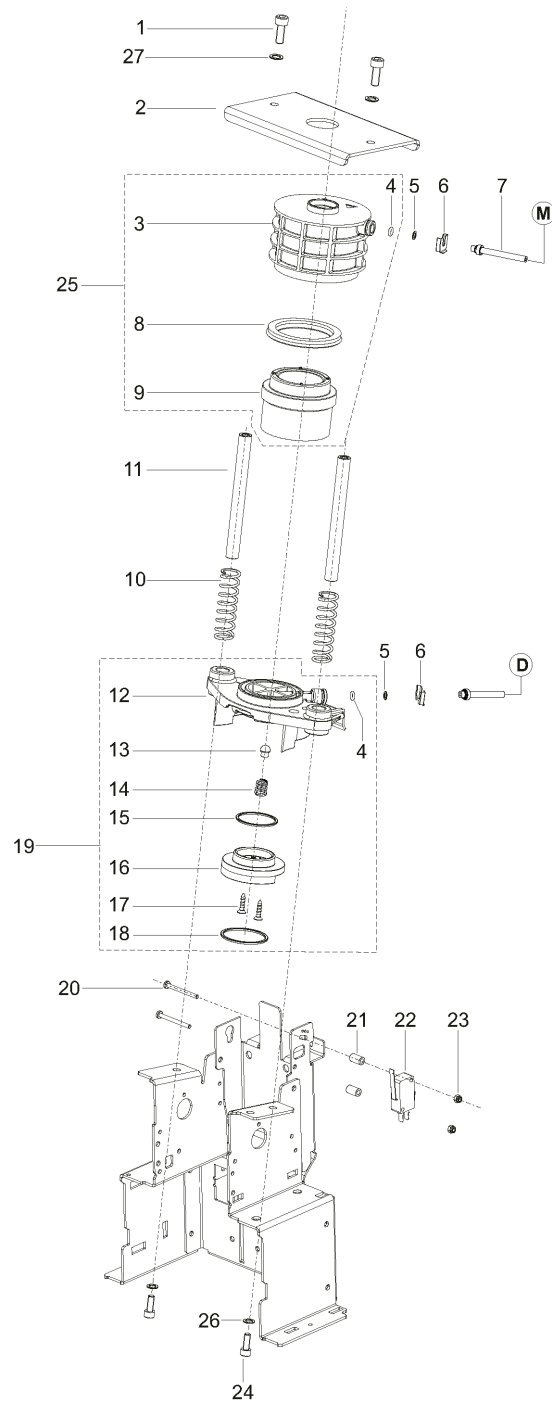
	Code	Description	Notes
1	502112	ASSEMBLED TANK CONVEYOR UL	
10	500813	O RING M0080-10 8*1 NBR	
11	501931	DISCHARGE VALVE	
12	500010	SILICONE HOSE 4X8 (1 MT)	
13	500372	CLIP	
14	501910	TANK	
15	502116	COVER FOR WATER TANK, BLACK UL	
18	500961	HOSE CLIP	
19	500227	FLOATER	
2	500807	COVER * TANK VALVE	
20	500228	CLIP	
21	502154	PROTECTION BRACKET	
22	500242	SELF-TAPPING SCREW 3.5X9.5	
3	502111	BASE-TANK CONVEYOR UL	
4	501932	SENSOR	
5	500808	TANK GASKET DI-062	
6	500809	VALVE BASE	
7	500812	TANK VALVE GASKET	
8	500815	DUMP VALVE PIN	
9	500371	BEND	



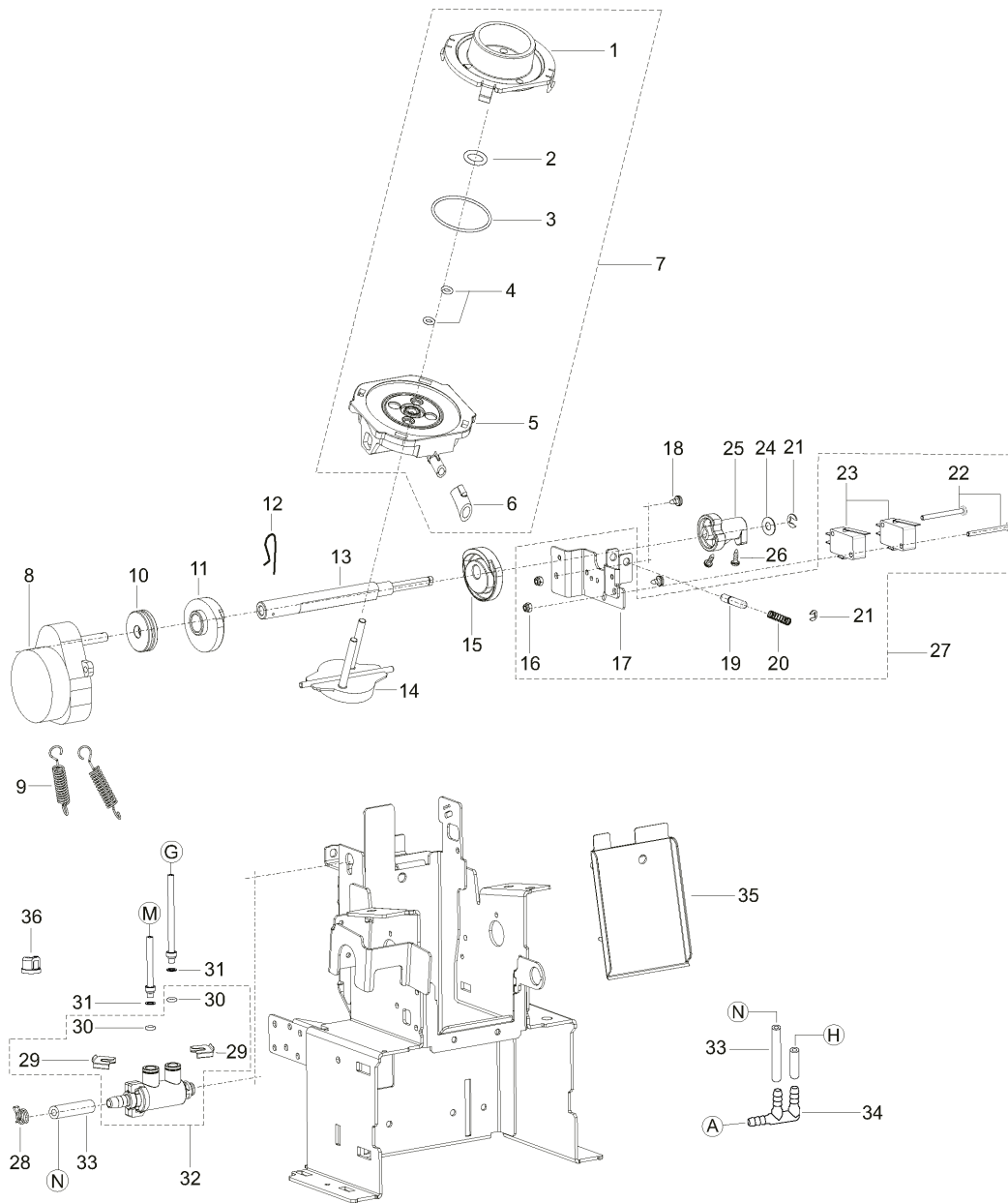
	Code	Description	Notes
1	502011	FRAME	
10	502119	THERMAL FUSE 215°C	
11	500157	OR 2025 VITON	
12	500077	STRAIGHT UNION +OR	
13	500073	OR 2015 VITON	
14	501140	1/8 GAS STRAIGHT CONNECTION	
15	500031	WASHER 4.2X6.8X0.5	
16	500064	SPRING FOR FAST COUPLING	
17	500060	FASTON STRAIGHT 6.3X0.8	
18	502005	SCREW M5X25 CE	
19	500048	SCREW M5X35	
2	500059	TOOTHED WASHER /5	
20	502004	SPRING WASHER Ø5	
21	501125	SCREW M4X6	
22	502006	BRACKET	
23	501999	TEFLON HOSE L=220MM	
24	501964	TEFLON HOSE L=190MM D.4X2	
25	502003	RAPID WASTE OUTLET UNION TEE	
26	501906	TEFLON HOSE L=100MM 4X2 NEW	
27	501114	TEFLON HOSE L=190MM	
28	502149	SOLENOID VALVE, 2-WAY 120V 60HZ	
29	502157	BOILER, ASSEMBLED 120V UL	
3	501600	NUT M5	
30	502033	TEMPERATURE SENSOR	
4	502150	RESISTOR BOILER 120V 800W	
5	502010	OR 3375 VITON	
6	502009	TOP BOILER PLATE	
7	502032	SENSOR SUPPORT	
8	500128	SELF-TAPPING SCREW 2.9X9.5	
9	500408	SELF-TAPPING SCREW 3.5X6.5	



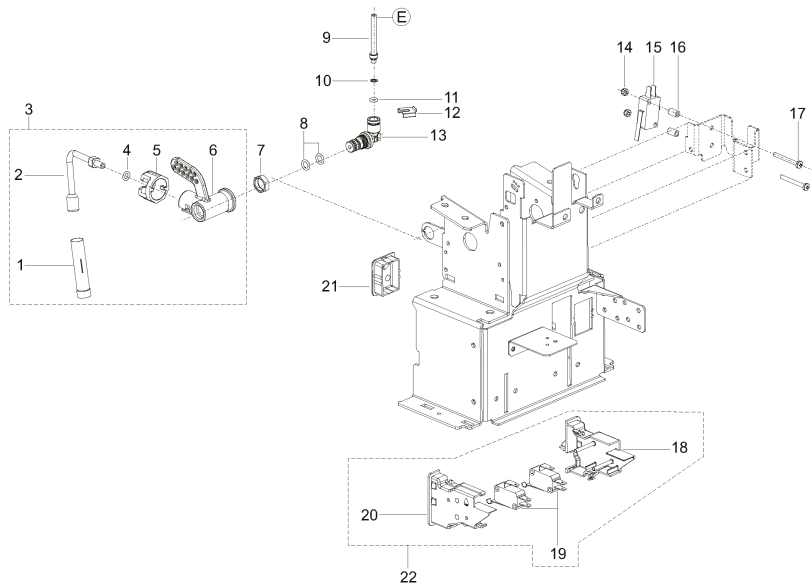
	Code	Description	Notes
1	500766	SCREW M3X6	
10	500962	SILICONE HOSE L=270MM D.4X8	
11	501906	TEFLON HOSE L=100MM 4X2 NEW	
12	502003	RAPID WASTE OUTLET UNION TEE	
13	502000	VOLUMETRIC COUNTER	
14	501998	PUMP SUPPORT BEND	
15	500328	THERMAL PROTECTOR T-120	
16	500684	PUMP 120V 60HZ	
17	500080	BUSHING	
18	500062	OR 2021 VITON	
2	501575	TEFLON HOSE L=220MM	
3	500031	WASHER 4.2X6.8X0.5	
4	500073	OR 2015 VITON	
5	501140	1/8 GAS STRAIGHT CONNECTION	
6	500064	SPRING FOR FAST COUPLING	
7	500077	STRAIGHT UNION +OR	
8	502148	SOLENOID VALVE, 3-WAY 120V 60HZ	
9	500371	BEND	



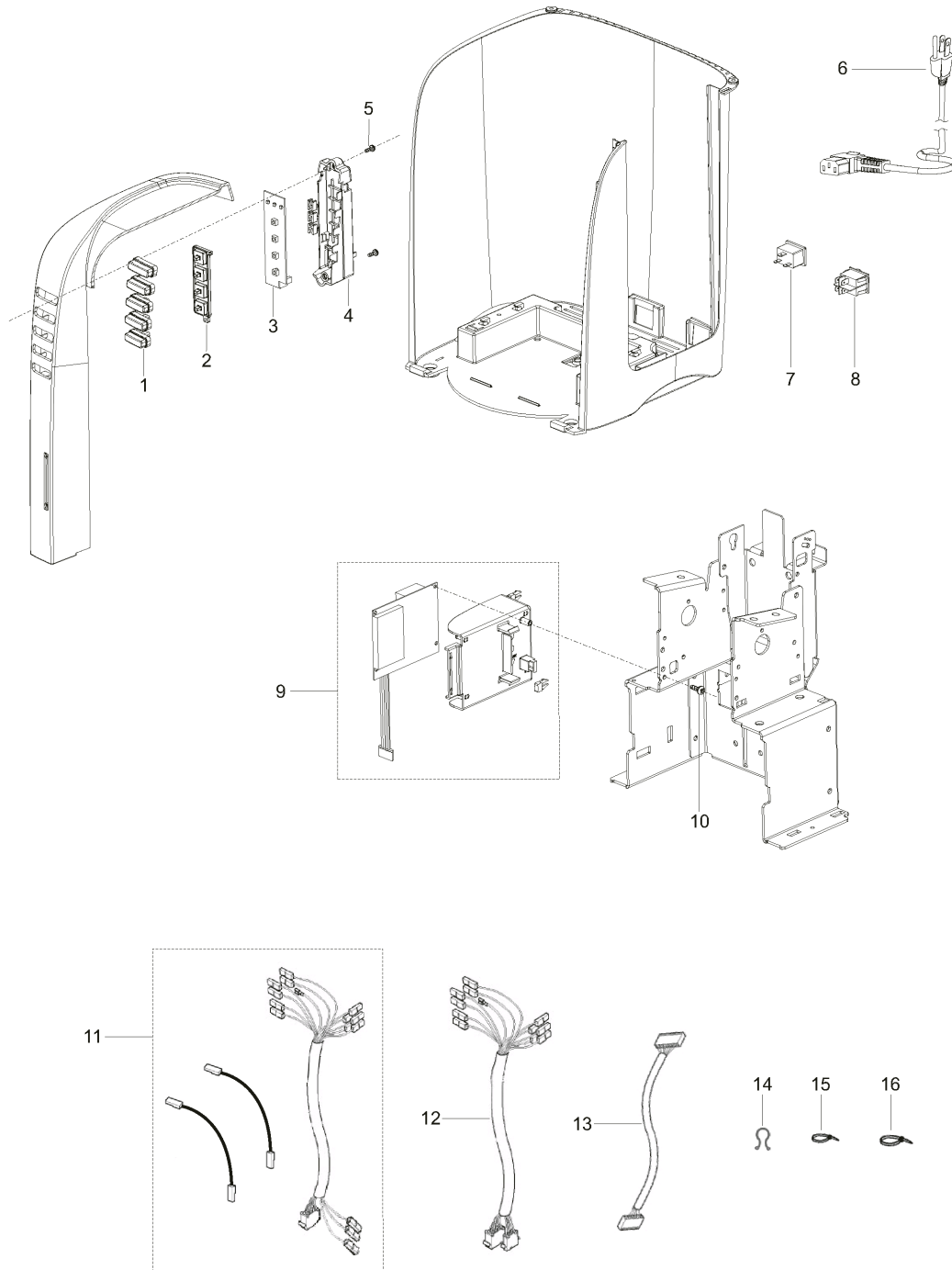
	Code	Description	Notes
1	500789	SCREW M6X16	
10	501966	SPRING H=55 MM	
11	501965	COLUMN	
12	501963	UPPER CAPS/POD SUPPORT. GUIDED	
13	500003	PERFORATOR VALVELET	
14	501970	SPRING H=14 MM	
15	500461	OR 4106 SILICONE	
16	502145	UPPER CAPSULE HOLDER	
17	501968	SELF-TAPPING SCREW 3.5X13 INOX	
18	500175	OR 4131 VITON	
19	502146	UPPER CAPS/POD SUPPORT, ASSEMBLED	
2	501959	BOTTOM BRACKET	
20	500681	SCREW M3X30	
21	501972	SPACER L=9.5 MM	
22	501974	MICROSWITCH	
23	500091	SELF-LOCKING NUT M3	
24	500789	SCREW M6X16	
25	502026	CYLINDER+ASSEMBLED PISTON	
26	502027	WASHER 6.4X18X1.5	
27	502057	WASHER 6X24	
3	501961	TOP HYDRAULIC CYLINDER	
4	500073	OR 2015 VITON	
5	500031	WASHER 4.2X6.8X0.5	
6	500064	SPRING FOR FAST COUPLING	
7	501960	TEFLON HOSE L=100MM 4X2	
8	501034	LIP SEAL EPDM70	
9	501962	PISTON	



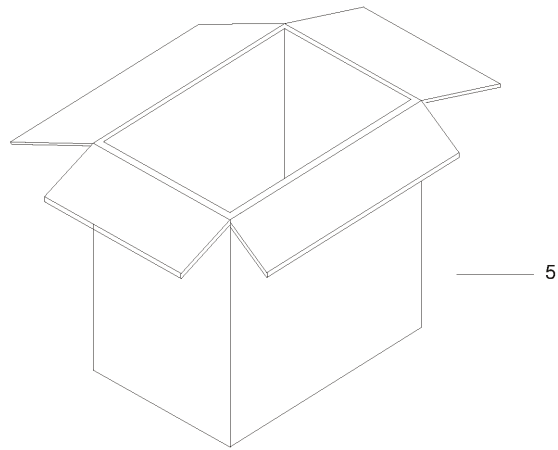
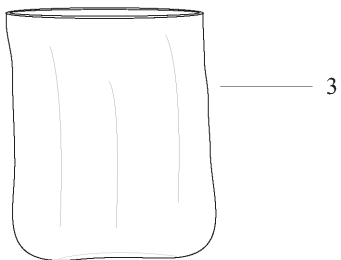
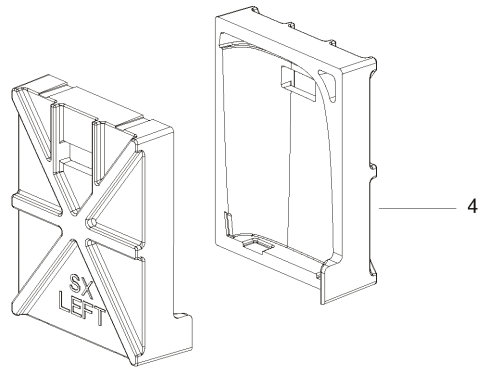
	Code	Description	Notes
1	501985	LOWER CAPSULE HOLDER	
10	501984	MOTOR CENTERING BUSHING	
11	501992	CAM BUSHING. REDUCTION GEAR SIDE	
12	501983	SPLIT PIN	
13	501987	REDUCTION GEAR SHAFT	
14	501994	EXTRACTOR	
15	501993	CAM BUSHING. MICROSWITCH SIDE	
16	500091	SELF-LOCKING NUT M3	
17	501975	MICRO SUPPORT BRACKET	
18	500408	SELF-TAPPING SCREW 3.5X6.5	
19	501976	PIN	
2	501988	OR 3040 SILICONE	
20	501977	SPRING H=22 MM	
21	501442	SEEGER-RING	
22	500681	SCREW M3X30	
23	501974	MICROSWITCH	
24	501220	FLAT WASHER 6*13*0.8	
25	501979	CAPSULE MICRO CAM	
26	500128	SELF-TAPPING SCREW 2.9X9.5	
27	501978	MICRO SUPPORT BRACKET. ASSEMBLED (CAPS/POD SUPPORT ROTATION)	
28	500961	HOSE CLIP	
29	500064	SPRING FOR FAST COUPLING	
3	501989	OR 2150 SILICONE	
30	500073	OR 2015 VITON	
31	500031	WASHER 4.2X6.8X0.5	
32	502002	RAPID WASTE OUTLET	
33	500010	SILICONE HOSE 4X8 (1 MT)	
34	502001	3-WAY UNION	
35	502029	CASING	
36	500492	CAP	
4	501766	OR 2018 VITON	
5	501986	SUPPORT FOR ROTATING CAPSULE SUPPORT	
6	501990	DISPENSING SPOUT	
7	501991	ROTATING CAPSULE SUPPORT. ASSEMBLED	
8	502126	REDUCTION GEAR 120V 60HZ	
9	501982	SPRING	



	Code	Description	Notes
1	500103	MILK FOAMER TUBE	
10	500031	WASHER 4.2X6.8X0.5	
11	500073	OR 2015 VITON	
12	500064	SPRING FOR FAST COUPLING	
13	501957	90° UNION	
14	500091	SELF-LOCKING NUT M3	
15	500273	MICROSWITCH GW	
16	502014	SPACER H=6.4	
17	500636	SCREW M3X25	
18	501995	RH GUARD MICRO	
19	501997	MICROSWITCH	
2	501954	STEAM TUBE	
20	501996	LH GUARD MICRO	
21	502007	CAP	
22	502028	DRAWER MICROSWITCH. ASSEMBLED	
3	501958	STEAM TUBE. ASSEMBLED	
4	501766	OR 2018 VITON	
5	501956	CAP	
6	501955	UNION FOR STEAM TUBE	
7	500156	STEAM TUBE FASTENING NUT	
8	500157	OR 2025 VITON	
9	501114	TEFLON HOSE L=190MM	



	Code	Description	Notes
1	501924	ROTARY KEYS LUSSO	
10	500242	SELF-TAPPING SCREW 3.5X9.5	
11	502151	ELECTRIC SYSTEM LUSSO UL	
12	502135	ELECTRIC SYSTEM, AUXILIARY SIGNALS	
13	502136	ELECTRIC SYSTEM, VOLUMETRIC COUNTER UL	
14	500192	WIRE GLAND	
15	500648	CLIP L=95	
16	502015	CLIP L=135	
2	501923	BUTTON MEMBRANE	
3	501922	ELECTRONIC CARD. BUTTON PAD LUX C.CARD	
4	501921	BUTTON PAD HOLDER	
5	500242	SELF-TAPPING SCREW 3.5X9.5	
6	500259	POWER SUPPLY CABLE 120V (UL)	
7	500261	CONNECTOR	
8	500593	MAIN SWITCH	
9	502153	ELECTRONIC CARD, CAPS.LUX C.CARD 120V UL + SUPPORT	



	Code	Description	Notes
1	502083	INSTRUCTION BOOKLET FOR CAPSULE UL	
2	502016	STICKER DOOR OPENING	
3	501049	POLYETHYLENE BAG 40X45X70	
4	502017	SHELL PACKAGING	
5	502018	PACKAGING BOX	
6	500713	STICKER "HOUSEOLD USE ONLY"	
7	500712	STICKER "ANTISHOCK"	